

FIRST ORIGINAL

(Forwarding Agents)

JAPAN FORWARDING AGENCY LTD.

Shipper
IBC JAPAN LTD
64 MIYANOMAE-CHO NAKAJIMA
FUSHIMI-KU KYOTO 612-8457 JAPAN
TEL: 075-622-5090
FAX: 075-622-5098

S/O No.
YMO-074

B/L No.
NYKS181890559

印紙税申告納
付につき廻町
税務署承認済



NYK LINE
NIPPON YUSEN KAISHA

Consignee
BILLY WINTER
P.O.BOX 132 BOMBO-
KAMPALA
UGANDA
+256772433200

BILL OF LADING

(NON NEGOTIABLE UNLESS CONSIGNED TO ORDER)

Shipped on board the Vessel, the Goods, or packages said to contain the cargo described below, in apparent good order and condition unless otherwise indicated herein, to be carried to the port of discharge or such port or place as selected by the Carrier under the terms and conditions of this Bill, with or without transshipment, as the Vessel and/or other connecting conveyances may safely get, and to be delivered there in like order and condition unto order or assigns, subject to the terms, conditions and exceptions on the face and back hereof.

This Bill (duly endorsed if it is negotiable) must be surrendered in exchange for the Goods or delivery order except where this Bill issued as a Sea Waybill. Where issued as a Sea Waybill, this Bill is not negotiable or a document of title and delivery shall be made to the named consignee on production of such reasonable proof of identity as may be required by the Carrier.

In accepting this Bill, the Merchant agrees to be bound by all the stipulations, exceptions, terms and conditions on the face and back hereof, whether written, typed, stamped or printed, as fully as if signed by the Merchant, any local custom or privilege to the contrary notwithstanding and agrees that all agreements or freight engagements for and in connection with the carriage of the Goods are superseded by this Bill.

In witness whereof, the undersigned, on behalf of Nippon Yusen Kaisha, the Master and the owner of the Vessel, has signed the number of Bill(s) stated below, all of this tenor and date, one of which being accomplished, the others to stand void.

Notify Party
BILLY WINTER
P.O.BOX 132 BOMBO-
KAMPALA
UGANDA
+256772433200

(Local Vessel) (From)
Ocean Vessel **036** Voy.No. Port of Loading
GALAXY LEADER **YOKOHAMA, JAPAN**

Port of Discharge **MOMBASA, KENYA** *For Transshipment to (if on-carriage) *Final Destination (for the Merchant's reference only)
CB2 CFS

Marks & Numbers	No. of P' kgs. or Units	Kind of packages or Units;	Description of Goods	Gross Weight (KGS)	Measurement (M3)
NO MARK	1	UNIT	USED MOTOR CARS 2006 VOLKSWAGEN POLO WVWZZZ9NZ7U000631 BTS-001589 HS CODE: 87073.23 391X166X146 "FREIGHT PREPAID"	1,180	9.476

TOTAL NUMBER OF PACKAGES SAY: ONE (1) UNIT ONLY
OR UNITS (IN WORDS)

FREIGHT & CHARGES "FREIGHT PREPAID AS ARRANGED"	Revenue Tons	Rate	Per	Prepaid	Collect

ICS B/L	Ex. Rate	Prepaid at KOBE, JAPAN	Payable at	Place of B(s)/L Issue KOBE, JAPAN	Dated 19 MAR 2020
		Total Prepaid in Local Currency	Number of Original B(s)/L THREE (3)	NIPPON YUSEN KAISHA	

(JSA STANDARD FORM B) *See-Article 17 (TERMS OF BILL OF LADING CONTINUED ON BACK HEREOF)

AS CARRIER
YCS CO., LTD.
AS AGENT FOR CARRIER



Declared Value _____

If shipper enters a value, carrier's limitation of liability shall not apply and the ad valorem rate will be charged. (See Article 13 & 22)

THIRD ORIGINAL

(Forwarding Agents)

JAPAN FORWARDING AGENCY LTD.

S/O No.

B/L No.

YMO-074

NYKS181890559

Shipper
IBC JAPAN LTD
64 MIYANOMAE-CHO NAKAJIMA
FUSHIMI-KU KYOTO 612-8457 JAPAN
TEL: 075-622-5090
FAX: 075-622-5098



Consignee
BILLY WINTER
P.O.BOX 132 BOMBO-
KAMPALA
UGANDA
+256772433200

**BILL OF LADING
(NON NEGOTIABLE UNLESS CONSIGNED TO ORDER)**

Shipped on board the Vessel, the Goods, or packages said to contain the cargo described below, in apparent good order and condition unless otherwise indicated herein, to be carried to the port of discharge or such port or place as selected by the Carrier under the terms and conditions of this Bill, with or without transhipment, as the Vessel and/or other connecting conveyances may safely get, and to be delivered there in like order and condition unto order or assigns, subject to the terms, conditions and exceptions on the face and back hereof.

This Bill (duly endorsed if it is negotiable) must be surrendered in exchange for the Goods or delivery order except where this Bill issued as a Sea Waybill. Where issued as a Sea Waybill, this Bill is not negotiable or a document of title and delivery shall be made to the named consignee on production of such reasonable proof of identity as may be required by the Carrier.

In accepting this Bill, the Merchant agrees to be bound by all the stipulations, exceptions, terms and conditions on the face and back hereof, whether written, typed, stamped or printed, as fully as if signed by the Merchant, any local custom or privilege to the contrary notwithstanding and agrees that all agreements or freight engagements for and in connection with the carriage of the Goods are superseded by this Bill.

In witness whereof, the undersigned, on behalf of Nippon Yusen Kaisha, the Master and the owner of the Vessel, has signed the number of Bill(s) stated below, all of this tenor and date, one of which being accomplished, the others to stand void.

Notify Party
BILLY WINTER
P.O.BOX 132 BOMBO-
KAMPALA
UGANDA
+256772433200

(Local Vessel) (From)

Ocean Vessel **036** Voy.No. Port of Loading
GALAXY LEADER **YOKOHAMA, JAPAN**

Port of Discharge **MOMBASA, KENYA** For Transhipment to (if on-carriage)

Final Destination (for the Merchant's reference only)

CB2 CFS

Marks & Numbers	No. of P' kgs. or Units	Kind of packages or Units;	Description of Goods	Gross Weight (KGS)	Measurement (M3)
NO MARK	1		USED MOTOR CARS 2006 VOLKSWAGEN POLO WVWZZZ9NZ7U000631 BTS-001589 HS CODE: 87073.23 391X166X146 UNIT "FREIGHT PREPAID"	1,180	9.476
TOTAL NUMBER OF PACKAGES SAY: ONE (1) UNIT ONLY					
OR UNITS (IN WORDS)					

Particulars furnished by the Merchant

FREIGHT & CHARGES		Revenue Tons	Rate	Per	Prepaid	Collect
"FREIGHT PREPAID AS ARRANGED"						

ICS B/L	Ex. Rate	Prepaid at KOBE, JAPAN	Payable at	Place of B(s)/L Issue KOBE, JAPAN	Dated 19 MAR 2020
		Total Prepaid in Local Currency	Number of Original B(s)/L THREE (3)	NIPPON YUSEN KAISHA	

(JSA STANDARD FORM B)

※See-Article 17
(TERMS OF BILL OF LADING CONTINUED ON BACK HEREOF)

**AS CARRIER
YCS CO., LTD.
AS AGENT FOR CARRIER**



Declared Value _____

If shipper enters a value, carrier's limitation of liability shall not apply and the ad valorem rate will be charged. (See Article 13 & 22)

番号 00939
整理番号 3341025003254315

輸出予定届出証明書 / Export Certificate

自動車登録番号 / Registration No. 登録年月日 / Registration Date 初年度登録年月 / First Reg. Date 車台番号 / Maker's serial number
 秋田 500 め 5431 車名 / Trademark of the maker of the vehicle 和 1 年 10 月 2 日 平成 18 年 9 月 2006 年 9 月 21 日 W V W Z Z Z 9 N Z 7 U 0 0 0 6 3 1 原動機の型式 / Engine Model
 車 式 / Model 型 式 B T S

所有者の氏名又は名称 [791] GH-9NBTS BTS

所有者の住所 株式会社

使用者の氏名又は名称 秋田県秋田市寺内神屋敷295-37 [01571]

使用者の住所 ***

使用の本拠の位置 ***

自動車の種別 用途 自家用: 事業用の別 車体の形状 乗車定員 最大積載量 車両重量 車両総重量
 (Classification of Vehicle) Use Purpose Type of Body Fixed Number Maxim. Carry Weight Vehicle Weight

小型 乗用 自家用 箱型 [001] 長さ 5A 幅 高さ 前軸重 前夜軸重 後軸重 後夜軸重
 Light Vehicle Classification of Fuel Specification No. Classification No. Length Width Height FF Weight FR Weight RR Weight RL Weight

総排気量又は定格出力 型式指定番号 類別区分番号 長さ 幅 高さ 前軸重 前夜軸重 後軸重 後夜軸重
 Light Output Specification No. Classification No. Length Width Height FF Weight FR Weight RR Weight RL Weight

輸出予定日 (証明書を有効期間満了日) 令和 2 年 5 月 21 日 15364 0081 391cm 166cm 146cm 740kg 1180kg 740kg 440kg
 Export Intended Date (Expiry Date) Year Month Day Specification No. Classification No. Length Width Height Weight Vehicle Weight Vehicle Weight

備考 [京都]、輸出予定届出 輸出予定届出証明書に係る自動車は、輸出予定届出証明書の有効期間が満了した 22, 800km (平成29(2017)年9月7日) 以下余白
 [旧走行距離計表示値/Mileage] 21, 300km (平成27(2015)年9月4日)

*一時抹消中所有者/Latest Owner IBC JAPAN 株式会社 [14256]

東京都府中市伏見区中島宮ノ前町64 [14256]

[申請年月日/Date of Application] 令和1(2019)年11月22日

[走行距離計表示値/Mileage]

令和 1 年 11 月 22 日
 Director-General of the District Transport Bureau of
 Ministry of Land, Infrastructure, Transport and Tourism, Japan

京都運輸支局長



裏面もご覧下さい。

No. 00939

EXPORT CERTIFICATE

License number		Last reg. Date		First reg. Month		Frame number	
AKITA	500 ME 5431	October, 2 , 2019		September, 2006		WVWZZZ9NZ7U000631	
VOLKSWAGEN		Name [791]		Model GH-9NBTS		Engine model BTS	
Last owner's name		IBC JAPAN KABUSHIKIGAISHA					
Above address		KYOTO-FU KYOTO-SHI FUSHIMI-KU NAKAJIMA MIYANOMAE-CHO 64					
Last user's name		*****					
Above address		*****					
Above location		*****					
Category	Purpose of use	Private or commercial	Style of Vehicle	Personal capacity	Cargo capacity	Net weight	Gross weight
SMALL	Passenger	PRIVATE	SEDAN	5 <small>people</small>	- kg	1180 kg	1455 kg
Displacement or outputpower	Fuel	Type No.	Length	Width	Height	F.F weight	F.R. weight
1.59 L <small>kw</small>	PETROL	15364	391 cm	166 cm	146 cm	740 kg	- kg
EXPIRY DATE	May, 21 , 2020						
REMARK:	[AKITA]						

November, 22 , 2019

AKITA UNYU SHIKYOKU-CHO

We IBC JAPAN LTD. verify that this English translation of
Certificate Registration is exactly the same with the original Japanese edition

IBC JAPAN LTD.

64 Miyamae-cho, Nakajima,
Fushimi-ku, Kyoto Japan



The Global Source
of Pre-Owned Vehicles

Phone: +81 75 422 5090

Fax: +81 75 422 2400

24/7 Hotline: +81 3 6438 0355

Email: accounts@ibc-auto.com

Website: ibc-auto.com

INVOICE

MESSRS BILLY WINTER
P.O.BOX 132 BOMBO-KAMPALA
+256772433200
COUNTRY UGANDA

DATE 3/19/2020
INVOICE NO. 87077445230

SHIPPED PER: Galaxy Leader-YK SAILING ON OR ABOUT: 3/19/2020
FROM: Yokohama TO: Mombasa, Kenya TERMS: T/T

<u>DESCRIPTION & QUANTITY</u>					<u>AMOUNT</u>
USED MOTOR CARS					CIF Mombasa in USD
1	VOLKSWAGEN POLO	2006 WVVZZZ9NZ7U000631	BTS-001589	SILVER	USD 2,000

ONE UNIT(S) TOTAL

TOTAL:

2,000

MARK & NO.

NO MARK

IBC Japan Ltd.

EAA

Certificate of export inspection

EAA Company Limited



No.: UH-2003-030-001
Date of Issue: 2020/03/11
Date of Appraisal: 2020/03/09

We hereby certify that the undermentioned motor vehicle was inspected by the EAA Company Limited and found to conform to the requirements of

UGANDA STANDARDS US 845:2017

Make	<u>VolksWagen</u>	Model	<u>GH-9NBTS</u>
Type of Vehicle			<u>Sedan</u>
Engine Capacity(c.c.rating)			<u>1,590 CC</u>
Year of First Registration			<u>2006/09</u>
Chassis Number			<u>WVWZZZ9NZ7U000631</u>
Engine Number or Model			<u>BTS 001589</u>
Inspected Mileage(Odometer Reading)			<u>24,627 km</u>
Inspected Date			<u>2020/03/09</u>

Remarks: We hereby certify that this motor vehicle does not exceed the radiation threshold level.

Note 1: No responsibility can be taken for alteration made to vehicle after this inspection.

Note 2: No responsibility can be assumed by this institute for any disputes, reparations, etc. caused by transaction involving the certified used motor vehicle as abovementioned.

EAA Company Limited



Director of
Inspection Dept

EAA Head Office



Inspection fee US\$140,00

NO UH-2003-030-001

This certificate is issued on the understanding that it does not relieve the seller from this contractual obligation.

THIS CERTIFICATE IS VALID FOR A PERIOD OF THREE(3) MONTHS FROM THE DATE OF ISSUE



S/No. UH-2003-030-001

[Vehicle Details]

Chassis No: WWWZZZ9NZ7U000631 Model: GH-9NBTS Engine Model: BTS
Maker: Volkswagen 1st Registration Year: 2006/09 Engine No: 001589
Model Name: Manufacture Year: 2006 Weight: 1180 Kg
Engine Capacity: 1590 cc Type of Vehicle: Sedan FF Axis Weight: 740 Kg
Body Color: Silver Mileage(Paper): 22,800 Km FR Axis Weight: Kg
Fuel Type: GASOLINE Odometer: 24,627 km RF Axis Weight: Kg
RR Axis Weight: 440 Kg

[Inspection Details]

Location: Kisarazu Inspector: Kazuya Yanagisawa

[Test Drive]

Abnormal at Acceleration Pass/Fail [check] Exhaust CO 0.08 % Pass/Fail [check] Headlights Luminance R 203 x100cd Pass/Fail [check]
Abnormal at Brake Test Pass/Fail [check] HC 8 ppm Pass/Fail [check] L 181 x100cd Pass/Fail [check]
DS %/m-1 Pass/Fail [check] Attachment R cm Pass/Fail [check]
(H) L cm Pass/Fail [check]

[Side Slip]

IN / OUT 1.8 mm Pass/Fail [check] Exhaust proximity noise Average dB(A) Pass/Fail [check] Optical Axis R cm Pass/Fail [check]
(L) L cm Pass/Fail [check]
(U) L cm Pass/Fail [check]
(R) R cm Pass/Fail [check]
(RL) L cm Pass/Fail [check]

[Speedometer]

Difference 1.6 km/h Pass/Fail [check] Run-out 0 km/h Pass/Fail [check]

[Brake System]

FL 234 kg FR 238 kg Sum main brake(Weight+55kg) 1235 x0.5= 618 < Sum Main brake= 753 Pass/Fail [check]
ML kg MR kg Sum parking brake(Weight+55kg) 1235 x0.2= 247 < Sum parking bake= 267 Pass/Fail [check]
RL 140 kg RR 141 kg Sum R wheel brake(axis weight) 440 x0.1= 44 < Sum R wheel bake= 281 Pass/Fail [check]
PL 132 kg PR 135 kg Pull:Front(axis Weight+55kg) 795 x0.08= 64 > Diff b/w R&L axis= 4 Pass/Fail [check]
Pull:Rear(axis Weight) 440 x0.08= 36 > Diff b/w R&L axis= 1 Pass/Fail [check]

[Engine]

Engine Result [check]
Fan belt
Battery
Master Cylinder
Caburetor
Fuel Pipes
Injection Pump
Wiring Haeness
Generator
Cooling System
Manifolds
Lubrication System R-134a
CFC

[Equipment]

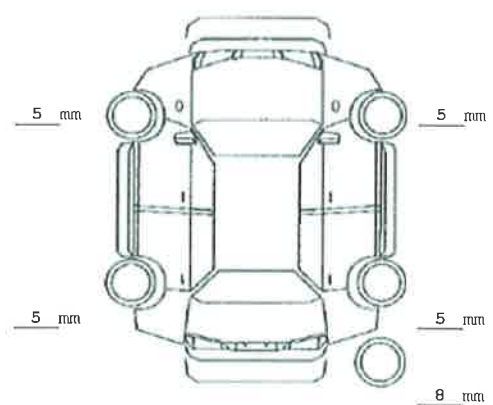
Tool Result [check]
Jack Result [check]

[Accessory]

A/C Result [check] AT/MT: AT
Audio Result [check]
Navigation Result [*]
Alloy Wheel Result [check]

[Underbody]

Wheel Bearing Result [check]
Springs
Shock Absorbers
Suspension Fixing
Torque Rod
Gear Box
Steering Rod/Arm
Wheel Cylinder
Brake Rod/Cable
Breake Hose/Pipe
Front axle
Drive Shaft
Propeller Shaft
Axle Housing
Differential
Tyre Size
Tyre Condition
Tyre ETC



[Interior]

Steering Wheel Result [check]
Power Steering
Horn
Gauges
Climate Control
Door
Windows
Wipers
Mirrors(Back & Sides)
Shift Lever
Safety Belts
Brake Pedal
Brake Booster
Clutch Pedal
Clutch Function

[Lights]

Head lamp Result [check]
Indicator
Rear
Brake
ETC

[ETC]

Exhaust System Result [check]
Air Suspension
Air Brake
Fuel Tank

[Damage]

Exterior Result [check]
Interior
Underbody

F=Repair A=Scratch U=Dent R=Rust CR=Crack D=Damage

[Result]

Pass [check]
Fail

[Reinspection]

Inspector Signature Kazuya Yanagisawa
Inspection Date 2020-03-09

[Fail Parts]

Inspector Signature
Inspection Date2