

FIRST ORIGINAL

JAPAN FORWARDING AGENCY LTD.

(Forwarding Agents)

Shipper
AL NOOR MOTORS

S/O No.
NGODUR-502

B/L No.
NYKS182188706

印紙税申告納
付につき廻町
税務署承認済



NYK LINE
NIPPON YUSEN KAISHA

Consignee
BYWORD MOTORS
694 INDUSTRIAL ROAD ZW/MASVINGO
ZIMBABWE
+263 71 939 0150

BILL OF LADING
(NON NEGOTIABLE UNLESS CONSIGNED TO ORDER)

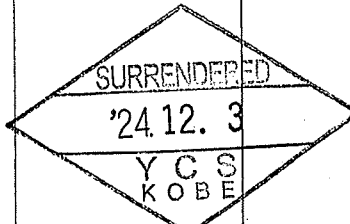
Shipped on board the Vessel, in apparent good order and condition unless otherwise indicated herein, the Goods, or package(s) said to contain the Goods, to be carried subject to all the terms and conditions herein. Being shipped on board the Vessel for Carriage hereunder constitutes the Merchant's acceptance of all the stipulations, exceptions, terms and conditions of this Bill as fully as if signed by him, any contrary local custom or privilege notwithstanding. This Bill supersedes all prior agreements or freight engagements for the Goods. This Bill (duly endorsed if it is negotiable) must be surrendered in exchange for the Goods or delivery order. Where issued as a Sea Waybill, this Bill is not negotiable or a document of title and delivery shall be made to the named consignee on production of such reasonable proof of identity as may be required by the Carrier. In witness whereof, the undersigned, on behalf of Nippon Yusen Kaisha and the Vessel and/or her owner, has signed the number of Bills stated hereunder, all of this tenor and date. Where issued as a Bill of Lading, delivery may be made against only one original Bill in which case, the others shall stand void.

Notify Party
SAME AS CONSIGNEE

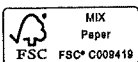
Pre-Carrier Vessel Voy.No. From
Ocean Vessel Voy.No. 004 Port of Loading
VELA LEADER NAGOYA, JAPAN

Port of Discharge To
DURBAN, SOUTH AFRICA ZIMBABWE
*Final Destination (for the Merchant's reference only)

| Marks & Numbers | No. of P'kgs. or Units | Kind of packages or Units; | Description of Goods | Gross Weight (KGS) | Measurement (M3) |
|---|------------------------|---|----------------------|--------------------|------------------|
| NO MARK | 1 | 2 MOTOR VEHICLES 2023 TOYOTA LANDCRUISER FJA300-4048102 F33A-0052656 HS CODE:8703.33 498X198X192 | | 2,580 | 18.932 |
| | 1 | 2024 TOYOTA LANDCRUISER 250 GDJ250-0002232 1GD-9334154 HS CODE:8703.33 492X198X193 | | 2,390 | 18.801 |
| | 2 | UNITS "FREIGHT PREPAID" | | 4,970 | 37.733 |
| TOTAL NUMBER OF PACKAGES SAY: TWO (2) UNITS ONLY OR UNITS (IN WORDS) | | | | | |

| | | | | | | |
|--|--|--------------|------|-----|---|---------|
| FREIGHT & CHARGES "FREIGHT PREPAID AS ARRANGED" | | Revenue Tons | Rate | Per | Prepaid | Collect |
| | | | | |  | |

| | | | | | |
|------------|----------|---------------------------------|--|--------------------------------------|-------------------|
| ICS B/L | Ex. Rate | Prepaid at KOBE, JAPAN | Payable at | Place of B(s)/L Issue KOBE, JAPAN | Dated 19 NOV 2024 |
| | 0 | Total Prepaid in Local Currency | Number of Original B(s)/L THREE (3) | NIPPON YUSEN KAISHA as Carrier | |



(JSA STANDARD FORM B) *See Article 24
(TERMS OF BILL OF LADING CONTINUED ON BACK HEREOF)

YCS CO., LTD.
AS AGENT FOR CARRIER



Declared Value _____

If Merchant enters a value, carrier's limitation of liability shall not apply and the ad valorem rate will be charged. (See Article 18 & 30)

IBC JAPAN LTD.

64 Miyanomae-cho, Nakajima,
Fushimi-ku, Kyoto Japan



The Global Source
of Pre-Owned Vehicles

Phone: +81 75 622 5090

Fax: +81 75 622 2400

24/7 Hotline: +81 36635 9355

Email: accounts@ibcauto.com

Website: ibcauto.com

INVOICE

MESSRS BYWORD MOTORS
694 INDUSTRIAL ROAD ZW/MASVINGO
MASVINGO
+263 71 939 0150
COUNTRY ZIMBABWE

DATE 11/18/2024
INVOICE NO. 88926853978

SHIPPED PER: VELA LEADER V.004-NG SAILING ON OR ABOUT: 11/18/2024
FROM: Nagoya TO: Durban, South Africa TERMS: T/T

DESCRIPTION & QUANTITY

AMOUNT

CIF Durban in Japanese Yen

| | | | | | |
|---|------------------------|------|----------------|--------------|-------------|
| 1 | TOYOTA LANDCRUISER | 2023 | FJA300-4048102 | F33A-0052656 | ¥10,245,000 |
| 2 | TOYOTA LANDCRUISER 250 | 2024 | GDJ250-0002232 | 1GD-9334154 | ¥8,420,000 |

TWO UNIT(S) TOTAL

TOTAL:

¥ 18,665,000

MARK & NO.

NO MARK

IBC Japan Ltd.

IBC Japan LTD.



Certificate No. WR-2411-004-001
Date of Issue 06, November, 2024

CERTIFICATE OF CONFORMITY FOR ROADWORTHINESS
ZIMBABWE CONSIGNMENT BASED CONFORMITY ASSESSMENT (CBCA) PROGRAMME

We hereby certify that the motor vehicle whose details are given below was inspected by EAA Company Ltd and found to conform to the requirements of the Zimbabwe CBCA Programme

INSPECTION INFORMATION

Name of Importer Unknown at time of inspection
Name of Supplier IBC JAPAN
Country of Supply Japan
Inspection Center Nagoya
Inspection Date 05, November, 2024

INSPECTED MOTOR VEHICLE PARTICULARS

Make TOYOTA
Model / Common Name 3DA-FJA300W LAND CRUISER
Chassis/VIN Number FJA300-4048102
Engine Model F33A Engine Number 0052656
Engine Capacity (c.c Rating) 3,340 cc
HS Code 8703
Year of First Registration 2023/09
Inspected Mileage (Odometer Reading) 31 km
Vehicle Net Mass 2580
Type of Body Station Wagon
Gross Weight 2855 kg

Remarks:

The radiation level on this vehicle was surveyed and found to be within the internationally accepted limits at time of inspection

This certificate is issued for and on behalf of the Zimbabwe Ministry of Industry and Commerce according to the requirements of the CBCA program of Zimbabwe and is subject to the general terms and conditions of service of service provider (See Terms and Conditions at <https://www.eaa-s.jp>). Validity is for a period of 90 days from the date of issuance. No responsibility will be assumed for any alteration made to the vehicle after completion of the inspection.

This document does not discharge exporters from their contractual obligations in relation to quality of the motor vehicle referred to herein nor does it discharge the importer or exporter from exercising all their rights and discharging all their liabilities under the contract of sale. The Authorities of Zimbabwe may reject the vehicle covered by this certificate if found to be non-conforming on verification at the port of entry.

CERTIFICATE EXPIRATION DATE
03, February, 2025



SERVICE PROVIDER NAME
EAA COMPANY LIMITED

Authorized Signatory: [Signature]



Inspection fee US\$140,00

輸出抹消仮登録証明書

Export Certificate

番号 01094
整理番号 3621023994137826自動車登録番号 / Registration No. 399ろ3782車名 / Trademark of the maker of the vehicle 令和6年10月29日
登録年月日 / Registration Date 令和5年9月9日
初年度登録年月 / First Reg. Date 令和5年9月9日
車台番号 / Maker's serial number FJA300-4048102
原動機の型式 / Engine Model FJA300-4048102

トヨタ 194] 3DA-FJA300W F33A [14256]

所有者の氏名又は名称 IBC Iadan株式会社 [14256]

住所 京都府京都市伏見区中島宮ノ前町6-4

使用者の氏名又は名称

使用者の住所

使用の本拠の位置

自動車の種別

用途

乗用

燃料の種類

軽油

輸出予定日

令和7年4月28日

型式指定番号

20201

長さ

498cm

幅

198cm

高さ

192cm

前軸重

1450kg

前軸重

2580kg

後軸重

2855kg

後軸重

1130kg

「京都」, 輸出抹消仮登録
輸出抹消申請をした所有者は、輸出抹消仮登録証明書の有効期間が
満了したときは、期間が満了した日から15日以内に、最寄
りの運輸支局等に当該輸出抹消仮登録証明書を返納しなければなり
ません。
[旧自動車登録番号] 和泉301め1774
以下余白

令和6年10月29日
2024 year 10 month 29 day
Director-General of the District Transport Bureau of
Director-General of the Transport Branch of the District Transport Bureau,
Ministry of Land, Infrastructure, Transport and Tourism, Japan

京都運輸支局長

裏面もご覧ください。

No. 01094

EXPORT CERTIFICATE

| | | | | | | | | | | | | | | | | | | | | | | | | | | | | | | | | | | | | | | | | | | | | | | | | | | | | | | | | | | | | | | | | | | | | | | | | | | | | | | | | | | | | | | | | | | | | | | | | | | | | | | | | | | | | | | | | | |
|--|---|-----------------------|------------------|-------------------|------------------|-----------------|--------------|----------------|--|-------------------|---------------------------|--|--|--|--|--|--|--|--|---------------|---|--|--|--|--|--|--|--|--|------------------|-------|--|--|--|--|--|--|--|--|---------------|-------|--|--|--|--|--|--|--|--|----------------|-------|--|--|--|--|--|--|--|--|----------|----------------|-----------------------|------------------|-------------------|----------------|------------|--------------|--|--------|-----------|---------|---------------|----------|------|---------|---------|--|-----------------------------|------|----------|----------|--------|-------|--------|------------|-------------|-----------|--------|-------|------|--------|--------|--------|---------|---------|-------------|-----------------|--|--|--|--|--|--|--|---------|-----------|--|--|--|--|--|--|--|
| License number | 399 RO | 3782 | Last reg. Date | October, 29, 2024 | First reg. Month | September, 2023 | Frame number | FJA300-4048102 | | | | | | | | | | | | | | | | | | | | | | | | | | | | | | | | | | | | | | | | | | | | | | | | | | | | | | | | | | | | | | | | | | | | | | | | | | | | | | | | | | | | | | | | | | | | | | | | | | | | | | | | | |
| | | | Name | | Model | | Engine model | | | | | | | | | | | | | | | | | | | | | | | | | | | | | | | | | | | | | | | | | | | | | | | | | | | | | | | | | | | | | | | | | | | | | | | | | | | | | | | | | | | | | | | | | | | | | | | | | | | | | | | | | | |
| TOYOTA | | | [194] | | 3DA-FJA300W | | F33A | | | | | | | | | | | | | | | | | | | | | | | | | | | | | | | | | | | | | | | | | | | | | | | | | | | | | | | | | | | | | | | | | | | | | | | | | | | | | | | | | | | | | | | | | | | | | | | | | | | | | | | | | | |
| <table border="1" style="width: 100%; border-collapse: collapse;"> <tr> <td style="width: 25%;">Last owner's name</td> <td colspan="7">IBC JAPAN KABUSHIKIGAISHA</td> <td style="width: 10%;"></td> <td style="width: 10%;"></td> </tr> <tr> <td>Above address</td> <td colspan="7">KYOTO-FU KYOTO-SHI FUSHIMI-KU NAKAJIMA MIYANOMAE-CHO 64</td> <td></td> <td></td> </tr> <tr> <td>Last user's name</td> <td colspan="7">*****</td> <td></td> <td></td> </tr> <tr> <td>Above address</td> <td colspan="7">*****</td> <td></td> <td></td> </tr> <tr> <td>Above location</td> <td colspan="7">*****</td> <td></td> <td></td> </tr> <tr> <td>Category</td> <td>Purpose of use</td> <td>Private or commercial</td> <td>Style of Vehicle</td> <td>Personal capacity</td> <td>Cargo capacity</td> <td>Net weight</td> <td>Gross weight</td> <td></td> </tr> <tr> <td>MEDIUM</td> <td>Passenger</td> <td>PRIVATE</td> <td>STATION WAGON</td> <td>5 people</td> <td>- kg</td> <td>2580 kg</td> <td>2855 kg</td> <td></td> </tr> <tr> <td>Displacement or outputpower</td> <td>Fuel</td> <td>Type No.</td> <td>Code no.</td> <td>Length</td> <td>Width</td> <td>Height</td> <td>F.F weight</td> <td>R.R. weight</td> </tr> <tr> <td>3.34 L kw</td> <td>DIESEL</td> <td>20201</td> <td>0060</td> <td>498 cm</td> <td>198 cm</td> <td>192 cm</td> <td>1450 kg</td> <td>1130 kg</td> </tr> <tr> <td>EXPIRY DATE</td> <td colspan="8" style="text-align: center;">April, 28, 2025</td> </tr> <tr> <td>REMARK:</td> <td colspan="8" style="text-align: center;">[KYOTO]</td> </tr> </table> | | | | | | | | | | Last owner's name | IBC JAPAN KABUSHIKIGAISHA | | | | | | | | | Above address | KYOTO-FU KYOTO-SHI FUSHIMI-KU NAKAJIMA MIYANOMAE-CHO 64 | | | | | | | | | Last user's name | ***** | | | | | | | | | Above address | ***** | | | | | | | | | Above location | ***** | | | | | | | | | Category | Purpose of use | Private or commercial | Style of Vehicle | Personal capacity | Cargo capacity | Net weight | Gross weight | | MEDIUM | Passenger | PRIVATE | STATION WAGON | 5 people | - kg | 2580 kg | 2855 kg | | Displacement or outputpower | Fuel | Type No. | Code no. | Length | Width | Height | F.F weight | R.R. weight | 3.34 L kw | DIESEL | 20201 | 0060 | 498 cm | 198 cm | 192 cm | 1450 kg | 1130 kg | EXPIRY DATE | April, 28, 2025 | | | | | | | | REMARK: | [KYOTO] | | | | | | | |
| Last owner's name | IBC JAPAN KABUSHIKIGAISHA | | | | | | | | | | | | | | | | | | | | | | | | | | | | | | | | | | | | | | | | | | | | | | | | | | | | | | | | | | | | | | | | | | | | | | | | | | | | | | | | | | | | | | | | | | | | | | | | | | | | | | | | | | | | | | | | |
| Above address | KYOTO-FU KYOTO-SHI FUSHIMI-KU NAKAJIMA MIYANOMAE-CHO 64 | | | | | | | | | | | | | | | | | | | | | | | | | | | | | | | | | | | | | | | | | | | | | | | | | | | | | | | | | | | | | | | | | | | | | | | | | | | | | | | | | | | | | | | | | | | | | | | | | | | | | | | | | | | | | | | | |
| Last user's name | ***** | | | | | | | | | | | | | | | | | | | | | | | | | | | | | | | | | | | | | | | | | | | | | | | | | | | | | | | | | | | | | | | | | | | | | | | | | | | | | | | | | | | | | | | | | | | | | | | | | | | | | | | | | | | | | | | | |
| Above address | ***** | | | | | | | | | | | | | | | | | | | | | | | | | | | | | | | | | | | | | | | | | | | | | | | | | | | | | | | | | | | | | | | | | | | | | | | | | | | | | | | | | | | | | | | | | | | | | | | | | | | | | | | | | | | | | | | | |
| Above location | ***** | | | | | | | | | | | | | | | | | | | | | | | | | | | | | | | | | | | | | | | | | | | | | | | | | | | | | | | | | | | | | | | | | | | | | | | | | | | | | | | | | | | | | | | | | | | | | | | | | | | | | | | | | | | | | | | | |
| Category | Purpose of use | Private or commercial | Style of Vehicle | Personal capacity | Cargo capacity | Net weight | Gross weight | | | | | | | | | | | | | | | | | | | | | | | | | | | | | | | | | | | | | | | | | | | | | | | | | | | | | | | | | | | | | | | | | | | | | | | | | | | | | | | | | | | | | | | | | | | | | | | | | | | | | | | | | | |
| MEDIUM | Passenger | PRIVATE | STATION WAGON | 5 people | - kg | 2580 kg | 2855 kg | | | | | | | | | | | | | | | | | | | | | | | | | | | | | | | | | | | | | | | | | | | | | | | | | | | | | | | | | | | | | | | | | | | | | | | | | | | | | | | | | | | | | | | | | | | | | | | | | | | | | | | | | | |
| Displacement or outputpower | Fuel | Type No. | Code no. | Length | Width | Height | F.F weight | R.R. weight | | | | | | | | | | | | | | | | | | | | | | | | | | | | | | | | | | | | | | | | | | | | | | | | | | | | | | | | | | | | | | | | | | | | | | | | | | | | | | | | | | | | | | | | | | | | | | | | | | | | | | | | | |
| 3.34 L kw | DIESEL | 20201 | 0060 | 498 cm | 198 cm | 192 cm | 1450 kg | 1130 kg | | | | | | | | | | | | | | | | | | | | | | | | | | | | | | | | | | | | | | | | | | | | | | | | | | | | | | | | | | | | | | | | | | | | | | | | | | | | | | | | | | | | | | | | | | | | | | | | | | | | | | | | | |
| EXPIRY DATE | April, 28, 2025 | | | | | | | | | | | | | | | | | | | | | | | | | | | | | | | | | | | | | | | | | | | | | | | | | | | | | | | | | | | | | | | | | | | | | | | | | | | | | | | | | | | | | | | | | | | | | | | | | | | | | | | | | | | | | | | | |
| REMARK: | [KYOTO] | | | | | | | | | | | | | | | | | | | | | | | | | | | | | | | | | | | | | | | | | | | | | | | | | | | | | | | | | | | | | | | | | | | | | | | | | | | | | | | | | | | | | | | | | | | | | | | | | | | | | | | | | | | | | | | | |

October, 29, 2024

KYOTO UNYU SHIKYOKU-CHO

We IBC JAPAN LTD. verify that this English translation of
Certificate Registration is exactly the same with the original Japanese edition



Certificate No. WR-2411-004-002
Date of Issue 06, November, 2024

CERTIFICATE OF CONFORMITY FOR ROADWORTHINESS
ZIMBABWE CONSIGNMENT BASED CONFORMITY ASSESSMENT (CBCA) PROGRAMME

We hereby certify that the motor vehicle whose details are given below was inspected by EAA Company Ltd and found to conform to the requirements of the Zimbabwe CBCA Programme

INSPECTION INFORMATION

Name of Importer Unknown at time of inspection
Name of Supplier IBC JAPAN
Country of Supply Japan
Inspection Center Nagoya
Inspection Date 05, November, 2024

INSPECTED MOTOR VEHICLE PARTICULARS

Make TOYOTA
Model / Common Name 3DA-GDJ250W LAND CRUISER
Chassis/VIN Number GDJ250-0002232
Engine Model IGD Engine Number 9334154
Engine Capacity (c.c Rating) 2,750 cc
HS Code 8703
Year of First Registration 2024/06
Inspected Mileage (Odometer Reading) 3411 km
Vehicle Net Mass 2390
Type of Body Station Wagon
Gross Weight 2775 kg

Remarks:

The radiation level on this vehicle was surveyed and found to be within the internationally accepted limits at time of inspection

This certificate is issued for and on behalf of the Zimbabwe Ministry of Industry and Commerce according to the requirements of the CBCA program of Zimbabwe and is subject to the general terms and conditions of service of service provider (See Terms and Conditions at <https://www.eaa-z.jp>). Validity is for a period of 90 days from the date of issuance. No responsibility will be assumed for any alteration made to the vehicle after completion of the inspection.

This document does not discharge exporters from their contractual obligations in relation to quality of the motor vehicle referred to herein nor does it discharge the importer or exporter from exercising all their rights and discharging all their liabilities under the contract of sale. The Authorities of Zimbabwe may reject the vehicle covered by this certificate if found to be non-conforming on verification at the port of entry.

CERTIFICATE EXPIRATION DATE
03, February, 2025



SERVICE PROVIDER NAME
EAA COMPANY LIMITED

Authorized Signatory: *[Signature]*



Inspection fee US\$140,00



EAA COMPANY LIMITED / Vehicle Roadworthiness Inspection Report

S/Nb. NR-2411-004-002

[Vehicle Details]

Chassis No : GDJ250-0002232 Model : 3DA-GDJ250W Engine Model : 1GD
 Maker : TOYOTA 1st Registration Year : 2024/06 Engine No : 9334154
 Model Name : LAND CRUISER Manufacture Year : 2024 Weight : 2390 Kg
 Engine Capacity : 2750 cc Type of Vehicle : Station Wagon FF Axis Weight : 1270 Kg
 Body Color : Platinum White Pearl Mica Mileage(Paper) : 0 Km RF Axis Weight : 1270 Kg
 Odometer : 3,411 Km RR Axis Weight : 1120 Kg
 Fuel Type : DIESEL

[Inspection Details]

Location : Nagoya Inspector : Katsumi Yagi

[Test Drive]

Abnormal at Acceleration Pass/Fail
 Abnormal at Brake Test Pass/Fail

[Side Slip]

IN / OUT 0.5 mm Pass/Fail

[Speedometer]

Difference 0.0 km/h Pass/Fail
 Run-out 0 km/h Pass/Fail

[Exhaust]

CO 0.05 % Pass/Fail
 HC 0.05 ppm Pass/Fail
 DS 0.05 %/m-1 Pass/Fail

[Exhaust proximity noise] Average 0.00 dB(A) Pass/Fail

[Radiation Dose]

Pass/Fail

[Headlights]

Luminance R 490 x100cd Pass/Fail
 L 500 x100cd Pass/Fail
 Attachment R 0 cm Pass/Fail
 (Height) L 0 cm Pass/Fail
 Optical Axis R 0 cm Pass/Fail
 (Under) L 0 cm Pass/Fail
 Optical Axis R 0 cm Pass/Fail
 (RL) L 0 cm Pass/Fail

[Brake System]

| | | | | | | | |
|------------------|------------------|--------------------------------|-------------------------------|---|--------------------|-------------|---|
| FL <u>380</u> kg | FR <u>385</u> kg | Sum main brake(Weight±55kg) | <u>2445</u> x0.5= <u>1223</u> | < | Sum Main brake- | <u>1290</u> | <input checked="" type="checkbox"/> Pass/Fail |
| ML <u>265</u> kg | MR <u>260</u> kg | Sum parking brake(Weight±55kg) | <u>2445</u> x0.2= <u>489</u> | < | Sum parking brake- | <u>500</u> | <input checked="" type="checkbox"/> Pass/Fail |
| RL <u>265</u> kg | RR <u>260</u> kg | Sum R wheel brake(axis weight) | <u>1120</u> x0.1= <u>112</u> | < | Sum R wheel brake- | <u>525</u> | <input checked="" type="checkbox"/> Pass/Fail |
| PL <u>250</u> kg | PR <u>250</u> kg | Pull:Front(axis Weight±55kg) | <u>1325</u> x0.08= <u>106</u> | > | Diff b/w R&L axis- | <u>5</u> | <input checked="" type="checkbox"/> Pass/Fail |
| | | Pull:Rear(axis Weight) | <u>1120</u> x0.08= <u>90</u> | > | Diff b/w R&L axis- | <u>5</u> | <input checked="" type="checkbox"/> Pass/Fail |

[Engine]

| Result |
|--------------------|
| Engine |
| Fan Belt |
| Battery |
| Master Cylinder |
| Carburetor |
| Fuel Pipes |
| Injection Pump |
| Wiring Harness |
| Generator |
| Cooling System |
| Manifolds |
| Lubrication System |
| CFC |
| R-134a |

[Equipment]

| Result |
|--------|
| Tool |
| Jack |

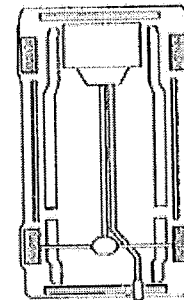
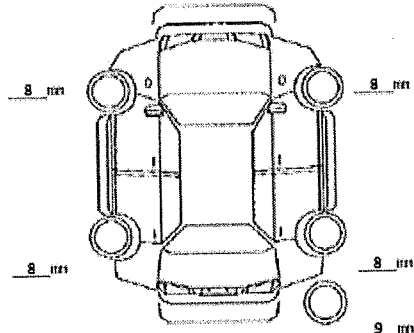
[Underbody]

| Result |
|-------------------|
| Wheel Bearing |
| Springs |
| Shock Absorbers |
| Suspension Fixing |
| Torque Rod |
| Gear Box |
| Steering Rod/Arm |
| Wheel Cylinder |
| Brake Rod/Cable |
| Brake Hose/Pipe |
| Front axle |
| Drive Shaft |
| Propeller Shaft |
| Axle Housing |
| Differential |
| Tyre Size |
| Tyre Condition |
| Tyre ETC |

[Accessory]

| Result |
|-------------|
| A/C |
| Audio |
| Navigation |
| Alloy Wheel |

AT/MT: AT



[Interior]

| Result |
|-----------------------|
| Steering Wheel |
| Power Steering |
| Horn |
| Gauges |
| Climate Control |
| Door |
| Windows |
| Wipers |
| Mirrors(Back & Sides) |
| Shift Lever |
| Safety Belts |
| Brake Pedal |
| Brake Booster |
| Clutch Pedal |
| Clutch Function |

[Lights]

| Result |
|-----------|
| Head lamp |
| Indicator |
| Rear |
| Brake |
| ETC |

[ETC]

| Result |
|----------------|
| Exhaust System |
| Air Suspension |
| Air Brake |
| Fuel Tank |

[Damage]

| Result |
|-----------|
| Exterior |
| Interior |
| Underbody |

□=Repair A=Scratch U=Dent R=Rust CR=Crack D=Damage

[Result]

Pass
 Fail

Inspector Signature Katsumi Yagi

Inspection Date 2024-11-05

[Reinspection]

Pass
 Fail

Inspector Signature

Inspection Date2

[Fail Parts]

輸出抹消仮登録証明書

Export Certificate

番号 01100
整理番号 3621023994137841

自動車登録番号 / Registration No. 399ろ3784車名 / Trademark of the maker of the vehicle 登録年月日 / Registration Date 令和6年10月29日 令和6年10月29日 初度登録年月 / First Reg. Date 令和6年6月6日 令和6年6月6日 車台番号 / Maker's serial number 1GD 1GD 型式 / Model GDJ250-0002232 原動機の型式 / Engine Model GDJ250-0002232

トヨタ

所有者の氏名又は名称
Name of Owner IBC Jadan株式会社所有者の住所
Address of Owner 京都府京都市伏見区中島宮ノ前町64使用者の氏名又は名称
Name of User ***使用者の住所
Address of User ***使用の本拠の位置
Locality of principal abode of use ***自動車の種別
Classification of Vehicle 用途 Use 自家用・事業用の別 Purpose

普通 乗用 燃料の種別 別 ステーションワゴン [003]

総排気量又は定格出力 Engine Capacity 2.75 L 軽油 20929 型式指定番号 Specification No. 0044

輸出予定日 (証明書有効期間満了日) 令和7年4月28日 輸出日 Export scheduled day 2025 year 4 month 28 day

備考 [京都]、輸出抹消仮登録申請をした所有者は、輸出抹消仮登録証明書の有効期間が満了したとき、期間が満了した日から15日以内、最寄りの運輸支局等に当該輸出抹消仮登録証明書を返納しなければなりません。 [旧自動車登録番号] 名古屋356ら800 以下余白

| 乗車定員 | 最大積載量 | 車両重量 | 車両総重量 | | | |
|--------|-------|--------|-----------|-----------|-----------|-----------|
| 7人 | kg | kg | kg | | | |
| 長さ | 幅 | 高さ | 前軸重 | 後軸重 | 前軸重 | 後軸重 |
| Length | Width | Height | FR Weight | RR Weight | FR Weight | RR Weight |
| 492cm | 198cm | 193cm | 1270kg | kg | kg | 1120kg |

令和6年10月29日 令和7年4月28日

令和6年10月29日 令和7年4月28日
Director-General of the District Transport Bureau of
the District Transport Branch of the District Transport Bureau,
Ministry of Land, Infrastructure, Transport and Tourism, Japan

京都運輸支局長



COPY

裏面もご確認ください。

No. 01100

EXPORT CERTIFICATE

| | | | | | | | | | | | | | | | | | | | | | | |
|--|--------|------|---|-------------------|-----------------------|------------------|------------------|--|-------------------|----------------|----------------|-----------------|------------|--|--------------|--|------|--|------|--|-------------|--|
| License number | 399 RO | 3784 | Last reg. Date | October, 29, 2024 | | First reg. Month | June, 2024 | | Frame number | GDI250-0002232 | | | | | | | | | | | | |
| Name | | | TOYOTA | | | Model | | | 3DA-GDI250W | | | | | | | | | | | | | |
| Last owner's name | | | IBC JAPAN KABUSHIKIGAISHA | | | [194] | | | 1GD | | | | | | | | | | | | | |
| Above address | | | KYOTO-FU KYOTO-SHI FUSHIMI-KU NAKAJIMA MIYANOMAE-CHO 64 | | | | | | | | | | | | | | | | | | | |
| Last user's name | | | ***** | | | | | | | | | | | | | | | | | | | |
| Above address | | | ***** | | | | | | | | | | | | | | | | | | | |
| Above location | | | ***** | | | | | | | | | | | | | | | | | | | |
| Category | | | Purpose of use | | Private or commercial | | Style of Vehicle | | Personal capacity | | Cargo capacity | | Net weight | | Gross weight | | | | | | | |
| MEDIUM | | | Passenger | | PRIVATE | | STATION WAGON | | 7 people | | - kg | | 2390 kg | | 2775 kg | | | | | | | |
| Displacement or outputpower 2.75 L kw | | | Fuel | | Type No. | | Code no. | | Length | | Width | | Height | | F.F. weight | | F.R. | | R.F. | | R.R. weight | |
| EXPIRY DATE | | | DIESEL | | 20929 | | 0044 | | 492 cm | | 198 cm | | 193 cm | | 1270 kg | | - kg | | - kg | | 1120 kg | |
| REMARK: | | | KYOTO | | | | | | | | | April, 28, 2025 | | | | | | | | | | |

October, 29, 2024

KYOTO UNYU SHIKYOKU-CHO

We IBC JAPAN LTD. verify that this English translation of
Certificate Registration is exactly the same with the original Japanese edition