

**Shipper**

IBC JAPAN LTD  
 64 MIYANOMAE-CHO NAKAJIMA  
 FUSHIMI-KU KYOTO 612-8457 JAPAN  
 TEL: 075-622-5090 FAX: 075-622-5098

Booking No. **18000655723**

B/L No. **MOLU18000670610**

**BILL OF LADING**

SHIPPED on board the Goods, or the total number of Containers or other packages or units enumerated below (\*) in apparent external good order and condition except as otherwise noted for transportation from the Port of Loading to the Port of Discharge subject to the terms hereof. One of the original Bills of Lading must be surrendered duly endorsed in exchange for the Goods or Delivery Order unless otherwise provided herein. In accepting this Bill of Lading the Merchant expressly accepts and agrees to all its terms whether printed, stamped or written, or otherwise incorporated, notwithstanding the non-signing of this Bill of Lading by the Merchant. IN WITNESS whereof the number of original Bills of Lading stated below have been signed, one of which being accomplished, the other(s) to be void. (Terms of Bill of Lading continued on the back hereof)  
 Declared value USD \_\_\_\_\_ subject to clause 5 (5) overleaf. If no value declared, liability limit applies as per clause 5 (4) or 32 as applicable.

**Consignee (not negotiable unless consigned 'to order')**

SSOZI THADEUS EDWARD KIMANJE  
 KULAMBIRO, KAMPALA  
 UGANDA  
 4369912630907 /+256755050480

Also Notify (For the Merchant's reference only)

THE SHIPMENT ARE USED CAR(S) (SECOND-HAND CAR(S)), NOT NEW CAR(S). THE CARRIER IS NOT RESPONSIBLE FOR ANY DENT, INDENTATION, SCRATCH, BREAKAGE, AND/OR DISCOLORATION WHICH ARE COMMON TO USED CARS, UNLESS IT IS PROVED THAT THEY WERE CAUSED BY THE CARRIER'S NEGLIGENCE. THE CARRIER IS NOT RESPONSIBLE FOR ANY CONTENTS, EQUIPMENTS, ACCESSORIES, AND/OR SPARE PARTS OF USED CARS.

**Notify Party**

SAME AS CONSIGNEE

Local vessel From

Ocean vessel/Voy. No. 0059A Port of loading  
 LAVENDER ACE KOBE, JAPAN

Port of discharge MOMBASA For transhipment to Final destination (for the Merchant's reference only)

Marks & Numbers	No. of pkgs. or Units / Kind of packages; description of goods	Gross Weight (KGS)	Measurement (M3)
NO MARK	FREIGHT PREPAID 1 UNIT(S) USED MOTOR CARS  TOYOTA VANGUARD 2010 ACA38-5151304 2AZ H495529 457X181X169 HS CODE: 8703.23  FREIGHT PREPAID AS ARRANGED	1,560.000	13.979



\* Total number of packages or units. ONE UNIT

Code	Tariff Item	Basis	Freighted as	Curr.	Rate	Per	Prepaid	Collect
------	-------------	-------	--------------	-------	------	-----	---------	---------

**A S A R R A N G E D**

No. of Originals THREE Place and date of B/L issue: KOBE MAY. 30. 2019 Totals & Pay at:

ON BOARD Date MAY. 30. 2019 Signature NORDIC AGENCIES

**FIRST ORIGINAL**

Mitsui O.S.K. Lines, Ltd. as Carrier

By Daiya Jans As Agents

\* OA 838 Applicable if carriage by local vessel to port of loading of ocean vessel arranged by carrier as agent for the Merchant in accordance with clause 7.

As Agents

For the Carrier

Particulars furnished by shipper

**Shipper**

IBC JAPAN LTD  
64 MIYANOMAE-CHO NAKAJIMA  
FUSHIMI-KU KYOTO 612-8457 JAPAN  
TEL: 075-622-5090 FAX: 075-622-5098

Booking No. **18000655723**

B/L No. **MOLU18000670610**

**Consignee (not negotiable unless consigned 'to order')**

SSOZI THADEUS EDWARD KIMANJE  
KULAMBIRO, KAMPALA  
UGANDA  
4369912630907 /+256755050480

**Notify Party**

SAME AS CONSIGNEE

\*\* Local vessel

From

Ocean vessel/Voy. No. 0059A  
LAVENDER ACE

Port of loading  
KOBE, JAPAN

Port of discharge  
MOMBASA

For transhipment to

Final destination (for the Merchant's reference only)

**BILL OF LADING**

SHIPPED on board the Goods, or the total number of Containers or other packages or units enumerated below (\*) in apparent external good order and condition except as otherwise noted for transportation from the Port of Loading to the Port of Discharge subject to the terms hereof. One of the original Bills of Lading must be surrendered duly endorsed in exchange for the Goods or Delivery Order unless otherwise provided herein. In accepting this Bill of Lading the Merchant expressly accepts and agrees to all its terms whether printed, stamped or written, or otherwise incorporated, notwithstanding the non-signing of this Bill of Lading by the Merchant. IN WITNESS whereof the number of original Bills of Lading stated below have been signed, one of which being accomplished, the other(s) to be void. (Terms of Bill of Lading continued on the back hereof)  
Declared value USD \_\_\_\_\_ subject to clause 5 (5) overleaf. If no value declared, liability limit applies as per clause 5 (4) or 32 as applicable.

**Also Notify**

(For the Merchant's reference only)

THE SHIPMENT ARE USED CAR(S) (SECOND-HAND CAR(S)), NOT NEW CAR(S). THE CARRIER IS NOT RESPONSIBLE FOR ANY DENT, INDENTATION, SCRATCH, BREAKAGE, AND/OR DISCOLORATION WHICH ARE COMMON TO USED CARS, UNLESS IT IS PROVED THAT THEY WERE CAUSED BY THE CARRIER'S NEGLIGENCE. THE CARRIER IS NOT RESPONSIBLE FOR ANY CONTENTS, EQUIPMENTS, ACCESSORIES, AND/OR SPARE PARTS OF USED CARS.

Marks & Numbers	No. of pkgs. or Units / Kind of packages; description of goods	Gross Weight (KGS)	Measurement (M3)
NO MARK	FREIGHT PREPAID 1 UNIT(S) USED MOTOR CARS  TOYOTA VANGUARD 2010 ACA38-5151304 2AZ H495529 457X181X169 HS CODE: 8703.23  FREIGHT PREPAID AS ARRANGED	1,560.000	13.979

\* Total number of packages or units. **ONE UNIT**

Code	Tariff Item	Basis	Freighted as	Curr.	Rate	Per	Prepaid	Collect
------	-------------	-------	--------------	-------	------	-----	---------	---------

**A S A R R A N G E D**

No. of Originals THREE	Place and date of B/L issue KOBE <b>MAY. 30. 2019</b>	<b>Totals &amp; Pay at:</b>
---------------------------	--	-----------------------------

ON BOARD

Date **MAY. 30. 2019** Signature **NORDIC AGENCIES**

**THIRD ORIGINAL**

**Mitsui O.S.K. Lines, Ltd.** as Carrier

By *Daiya Janso*  
NORDIC AGENCIES

As Agents

For the Carrier

\* OA 838  
\*\* Applicable if carriage by local vessel to port of loading of ocean vessel arranged by carrier as agent for the Merchant in accordance with clause 7.

Particulars furnished by shipper



Sales Dept Ph: 075-622-5081  
Fax: 075-622-2400  
Main Office Ph: 075-622-5090  
Fax: 075-622-5098

EXPORTERS OF QUALITY NEW & USED VEHICLES  
IBC JAPAN LTD 64 MIYANOMAE-CHO NAKAJIMA FUSHIMI-KU KYOTO 612-8457 JAPAN  
INTERNET ADDRESS: <http://www.ibcjapan.co.jp>

## INVOICE

MESSRS SSOZI THADEUS EDWARD KIMANJE  
KULAMBIRO, KAMPALA  
PHONE: +256755050480  
COUNTRY UGANDA

DATE Jun, 03, 2019  
INVOICE NO. 39726442756

SHIPPED PER: Lavender Ace-KB SAILING ON OR ABOUT: 5/30/2019  
FROM: Kobe TO: Mombasa, Kenya TERMS: T/T

<u>DESCRIPTION &amp; QUANTITY</u>					<u>AMOUNT</u>
USED MOTOR CAR(S)					CIF Mombasa in Japanese Yen
1	TOYOTA VANGUARD	2010 ACA38-5151304	2AZ H495529	BLACK	¥780,000

ONE UNIT(S) TOTAL TOTAL: ¥780,000

MARK & NO.

NO MARK

  
IBC Japan Ltd.

番号 01511  
整理番号 3631023291876890

# 輸出予定届出証明書 / Export Certificate

自動車登録番号 / Registration No. 登録年月日 / Registration Date 初度登録年月 / First Reg. Date 車台番号 / Motor's serial number

神戸 329 7689 車名 / Trademark of the maker of the vehicle 平成 30 年 12 月 12 日 平成 22 年 2010 年 3 月 30 日 DBA-ACCA38W 型式 / Model 194] DBA-ACCA38W 車台番号 / Motor's serial number 2AZ 原動機の型式 / Engine Model 2AZ

トヨタ 所有者の氏名又は名称 株式会社 IDOM [194] DBA-ACCA38W 2AZ

所有者の住所 東京都千代田区丸の内2丁目7-3 [35015]

使用者の氏名又は名称 使用者の住所 使用の本拠の位置

兵庫県尼崎市名神町1丁目17-8 兵庫県 自動車の種類 乗用 燃料の種類 スターションエンジン [003] 型式指定番号 16133 類別区分番号 0077 長さ 457cm 幅 181cm 高さ 169cm 前前軸重 900kg 前後軸重 1560kg 前後軸重 1945kg

乗用 自家用 燃料の種類 スターションエンジン [003] 型式指定番号 16133 類別区分番号 0077 長さ 457cm 幅 181cm 高さ 169cm 前前軸重 900kg 前後軸重 1560kg 前後軸重 1945kg

輸出予定日 (証明書を効期間満了日) 平成 31 年 6 月 20 日 2019 年 6 月 20 日

備考 [京都]、輸出予定届出 輸出に係る届出をした所有者は、輸出予定届出証明書の有効期間が満了した輸 輸出されることなく、当該輸出予定届出証明書の有効期間が満了した輸 ときは、当該有効期間が満了した日から15日以内に、最寄りの運輸 支局等に当該輸出予定届出証明書を返納しなければなりません。 [旧走行距離計表示値/Mileage] 以下余白

\*一時抹消中所有者/Jatest Owner IBC Japana 株式会社 京都府京都市伏見区中島宮ノ前町64 [14256] [申請年月日/Date of Application] 平成30(2018)年12月21日 [走行距離計表示値/Mileage]

平成 30 年 12 月 21 日 平成 2018 年 12 月 21 日

Director-General of the District Transport Bureau or Director-General of the Transport Branch of the District Transport Bureau, Ministry of Land, Infrastructure, Transport and Tourism, Japan

京都運輸支局長

裏面もご覧下さい。

**EXPORT CERTIFICATE**

License number		Last reg. Date		First reg. Month		Frame number			
KOBE	329	TE	7689	December, 12, 2018		March, 2010		ACA38-5151304	
Name		Model		Engine model					
TOYOTA		[ 194 ]		2AZ					
Last owner's name		IBC JAPAN KABUSHIKIGAISSHA							
Above address		KYOTO-FU KYOTO-SHI FUSHIMI-KU NAKAJIMA MIYANOMAE-CHO 64							
Last user's name		*****							
Above address		*****							
Above location		*****							
Category	Purpose of use	Private or commercial	Style of Vehicle		Personal capacity	Cargo capacity		Net weight	Gross weight
MEDIUM	Passenger	PRIVATE	STATION WAGON		7 <small>people</small>	- kg		1560 kg	1945 kg
Displacement or outputpower kw	Fuel	Type No.	Code no.	Length	Width	Height	F.F weight	F.R.	R.F.
2.36 L	PETROL	16133	0077	457 cm	181 cm	169 cm	900 kg	- kg	- kg
EXPIRY DATE	June, 20		* 2019						
REMARK:	[ ]		KOBE ] CANCELLATION,						

December, 21, 2018

KOBE UNYU KANRI BU-CHO

We IBC JAPAN LTD. verify that this English translation of  
Certificate Registration is exactly the same with the original Japanese edition

# EAA

## Certificate of export inspection

### EAA Company Limited



No.: UH-1904-103-001  
Date of Issue: 2019/04/18  
Date of Appraisal: 2019/04/17

We hereby certify that the vehicle, for which details are given below,  
has the following value at the time of appraisal in Japan.

**UGANDA STANDARDS US 845:2017**

Make	TOYOTA	Model	DBA-ACA38W
Type of Vehicle			Station Wagon
Engine Capacity(c.c.rating)			2,360 CC
Year of First Registration			2010/03
Chassis Number			ACA38-5151304
Engine Number or Model			2AZ H495529
Inspected Mileage(Odometer Reading)			85,896 km
Inspected Date			2019/04/17

Remarks: We hereby certify that this motor vehicle does not exceed the radiation threshold level.

Note 1: No responsibility can be taken for alteration made to vehicle after this inspection.

Note 2: No responsibility can be assumed by this institute for any disputes, reparations, etc. caused by transaction involving the certified used motor vehicle as abovementioned.

EAA Company Limited

EAA West



Branch



Director of  
Inspection Dept



Inspection fee US\$140,00

NO UH-1904-103-001

This certificate is issued on the understanding that it does not relieve the seller from this contractual obligation.

**THIS CERTIFICATE IS VALID FOR A PERIOD OF THREE(3) MONTHS FROM THE DATE OF ISSUE**



S/No. UH-1904-103-001

[Vehicle Details]

Chassis No: ACA38-5151304 Model: DBA-ACA38W Engine Model: 2AZ
Maker: TOYOTA 1st Registration Year: 2010/03 Engine No: H495529
Model Name: Manufacture Year: Weight: 1560 Kg
Engine Capacity: 2360 cc Type of Vehicle: Station Wagon FF Axis Weight: 900 Kg
Body Color: Black Mileage(Paper): 64,900 Km FR Axis Weight: Kg
Fuel Type: GASOLINE Odometer: 85,896 km RF Axis Weight: Kg
RR Axis Weight: 660 Kg

[Inspection Details]

Location: Kobe Inspector: Kazuya Kawashima

[Test Drive]

Abnormal at Acceleration Pass/Fail
Abnormal at Brake Test Pass/Fail

[Exhaust]

CO 0.00 % Pass/Fail
HC 0 ppm Pass/Fail
DS %/m-1 Pass/Fail

[Headlights]

Luminance R 490 x100cd Pass/Fail
L 450 x100cd Pass/Fail
Attachment R cm Pass/Fail
(L) L cm Pass/Fail
Optical Axis R cm Pass/Fail
(L) L cm Pass/Fail
Optical Axis R cm Pass/Fail
(L) L cm Pass/Fail

[Side Slip]

IN / OUT 1.1 mm Pass/Fail

[Exhaust proximity noise] Pass/Fail
Average dB(A) Pass/Fail

[Speedometer]

Difference 0.1 km/h Pass/Fail
Run-out 0 km/h Pass/Fail

[Radiation Dose]

[Brake System]

FL 293 kg FR 309 kg Sum main brake(Weight+55kg) 1615 x0.5= 808 < Sum Main brake= 1017 Pass/Fail
ML kg MR kg Sum parking brake(Weight+55kg) 1615 x0.2= 323 < Sum parking bake= 329 Pass/Fail
RL 204 kg RR 211 kg Sum R wheel brake(axis weight) 660 x0.1= 66 < Sum R wheel bake= 415 Pass/Fail
PL 166 kg PR 163 kg Pull:Front(Weight+55kg) 955 x0.08= 77 > Diff b/w R&L axis= 16 Pass/Fail

[Engine]

Engine Result
Fan belt
Battery
Master Cylinder
Caburetor
Fuel Pipes
Injection Pump
Wiring Haeness
Generator
Cooling System
Manifolds
Lubrication System
CFC R-134a

[Equipment]

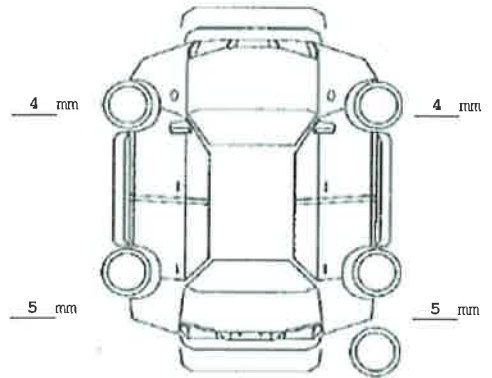
Tool Result
Jack

[Accessory]

A/C
Audio
Navigation
Alloy Wheel AT/MT: AT

[Underbody]

Wheel Bearing Result
Springs
Shock Absorbers
Suspension Fixing
Torque Rod
Gear Box
Steering Rod/Arm
Wheel Cylinder
Brake Rod/Cable
Breake Hose/Pipe
Front axle
Drive Shaft
Propeller Shaft
Axle Housing
Differential
Tyre Size
Tyre Condition
Tyre ETC

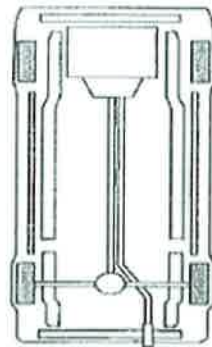


[Interior]

Steering Wheel Result
Power Steering
Horn
Gauges
Climate Control
Door
Windows
Wipers
Mirrors(Back & Sides)
Shift Lever
Safety Belts
Brake Pedal
Brake Booster
Clutch Pedal
Clutch Function

[Lights]

Head lamp Result
Indicator
Rear
Brake
ETC



[ETC]

Exhaust System Result
Air Suspension
Air Brake
Fuel Tank

[Damage]

Exterior Result
Interior
Underbody

F=Repair A=Scratch U=Dent R=Rust CR=Crack D=Damage

[Result]

Pass
Fail

Inspector Signature Kazuya Kawashima
Inspection Date 2019-04-17

[Reinspection]

Pass
Fail

Inspector Signature
Inspection Date2

[Fail Parts]