



The best source of
pre-owned vehicles from Japan

IBC Japan Ltd.

Miyanomae-cho, Nakajima, Fushimi-ku, Kyoto, Japan
Tel. No. 81-75-622-5090 Fax. No. 81-75-622-5098
email : ibcparts@ibcjapan.net

IBC Technical Value Added Services

Parts Quotation

Charles Makeo _____

Request number: _____
REF: SSugimura

Kenya
Confirmed by (signature) _____

Date: 2019/09/18

CID: 320951

	Description	QTY	Unit @Japanese Yen	Japanese Yen Total	USD Equivalent
1	NCP20-0121295			¥0	\$0.00
2	89752 CASE, TRANSMITTER HOUSING	1	1,700	¥1,700	\$15.71
3	89751 COVER, TRANSMITTER HOUSING	1	900	¥900	\$8.32
4	68210C WEATHERSTRIP ASSY, FRONT DOOR GLASSM OUTER LH	1	3,000	¥3,000	\$27.72
5	62313D TRIM, FRONT DOOR OPENING, RH	1	6,500	¥6,500	\$60.06
6	62314D TRIM, FRONT DOOR OPENING, LH	1	6,500	¥6,500	\$60.06
7	64750F CLIP(FOR DECK SIDE TRIM PANEL	1	120	¥120	\$1.11
8	52131A FORM COVER FOR REINFORCEMENT, FRONT BUMPER	1	16,600	¥16,600	\$153.39
9	52575 RETAINER, REAR BUMPER SIDE, RH	1	250	¥250	\$2.31
10	52576 RETAINER, REAR BUMPER SIDE, LH	1	250	¥250	\$2.31
11	52161B PIECE, REAR BUMPER	1	230	¥230	\$2.13
12				¥0	\$0.00
13	*5,6:The color is different from the current car			¥0	\$0.00
14				¥0	\$0.00
15				¥0	\$0.00
16				¥0	\$0.00
17				¥0	\$0.00
18				¥0	\$0.00
19				¥0	\$0.00
20				¥0	\$0.00

Sub Total	¥36,050	\$333.12
Shipping Charge		\$0.00
Handling Charge	¥4,000	\$36.96
Grand Total	¥40,050	\$370.08

*****IMPORTANT*****

Note: Total USD price is based on Today's Exchange Rate

@ **108.22**

JST Date & Time as of: **9/18/19 15:42**

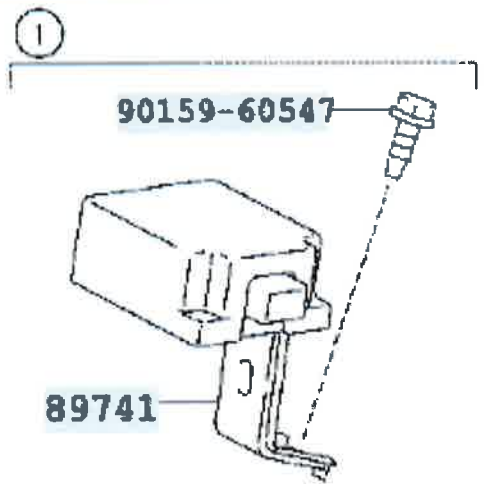
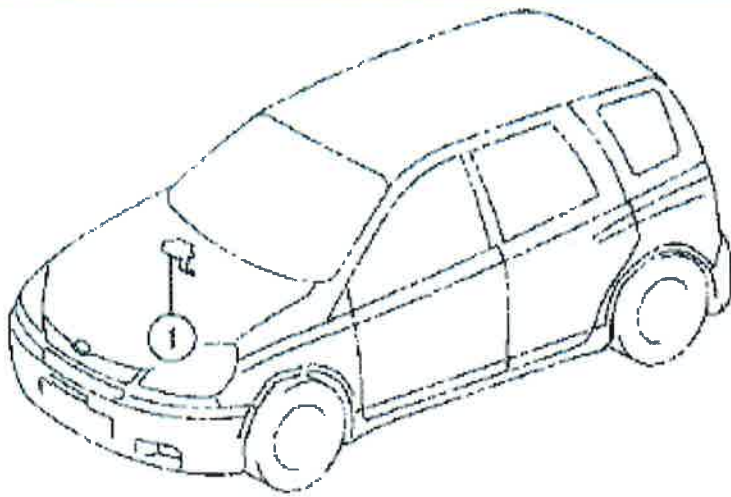
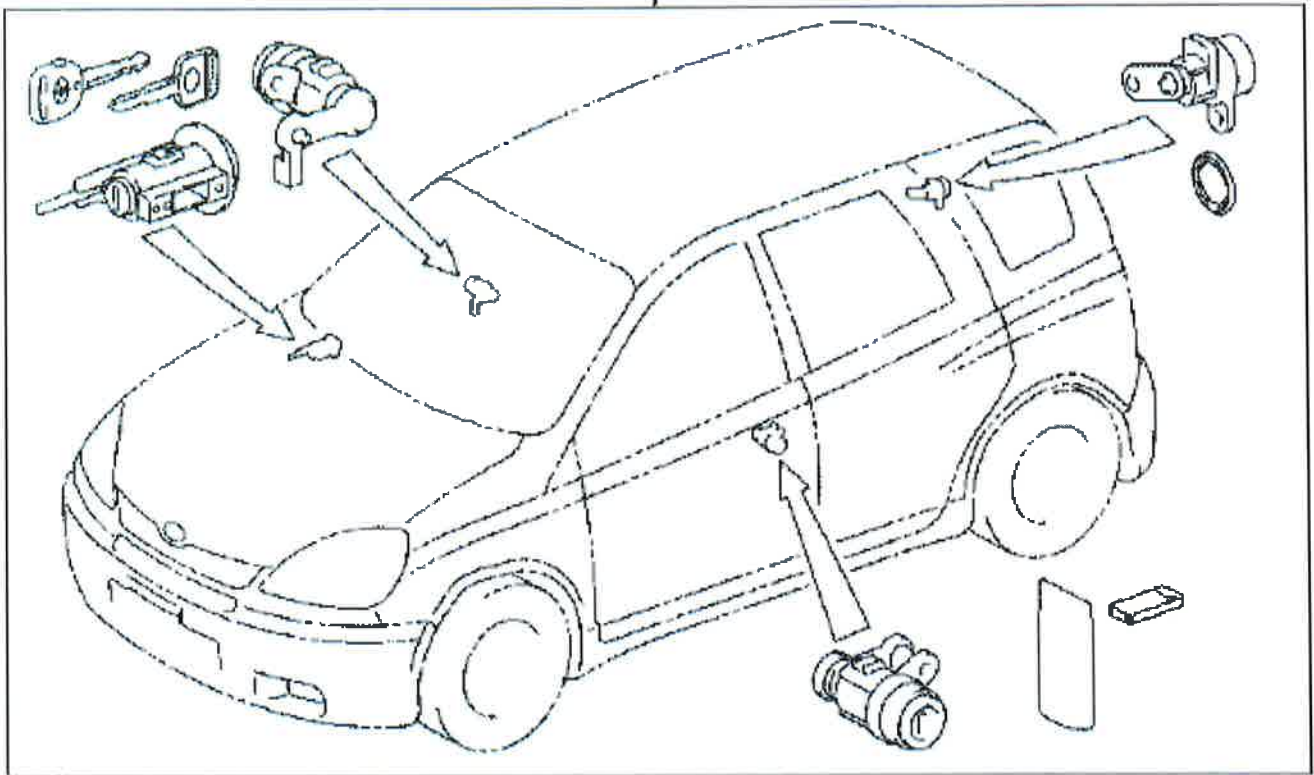
and is Subject to Change.

Any Order cannot be Proceeded without confirmation of Full Payment

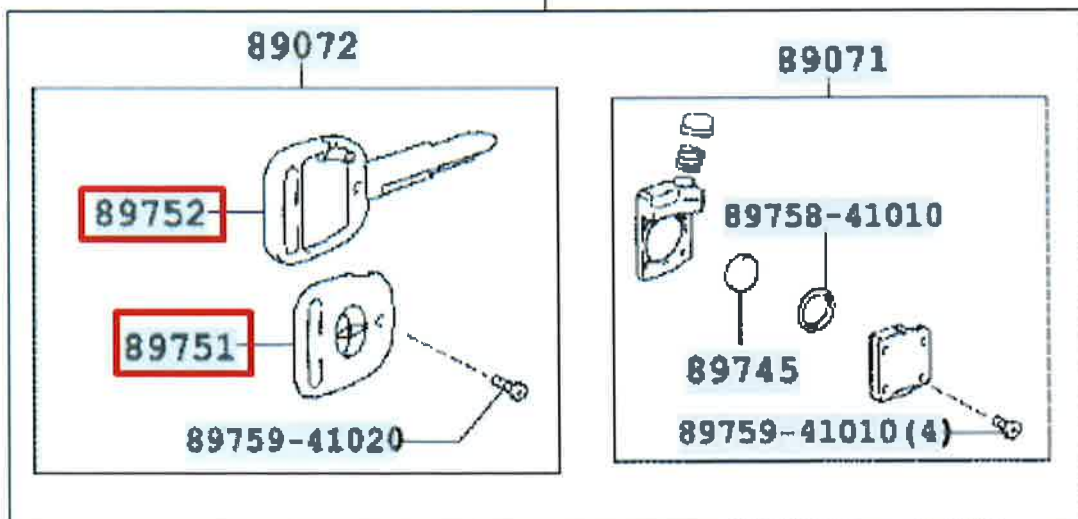
IBC Japan Ltd

Address: 64 Nakajima, Miyanomae-cho, Fushimi, Kyoto, Japan

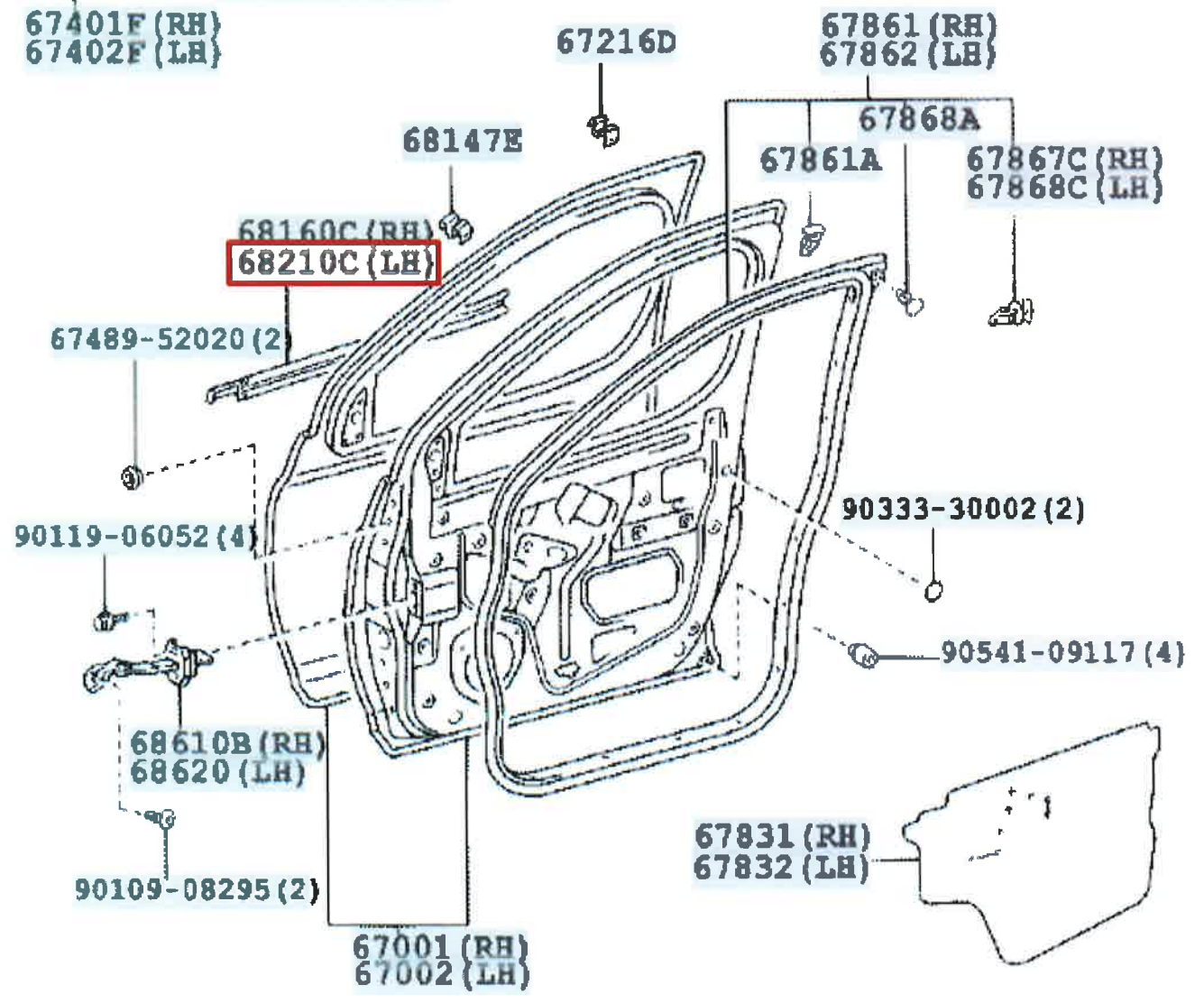
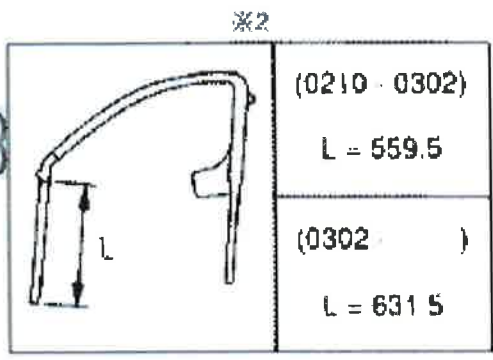
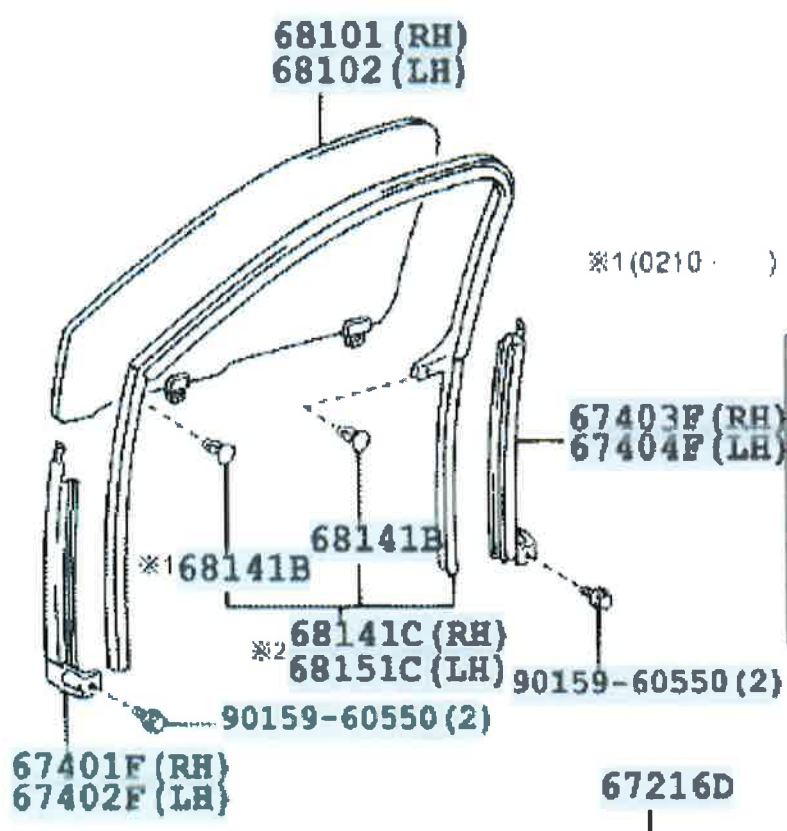
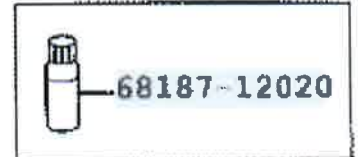
89073



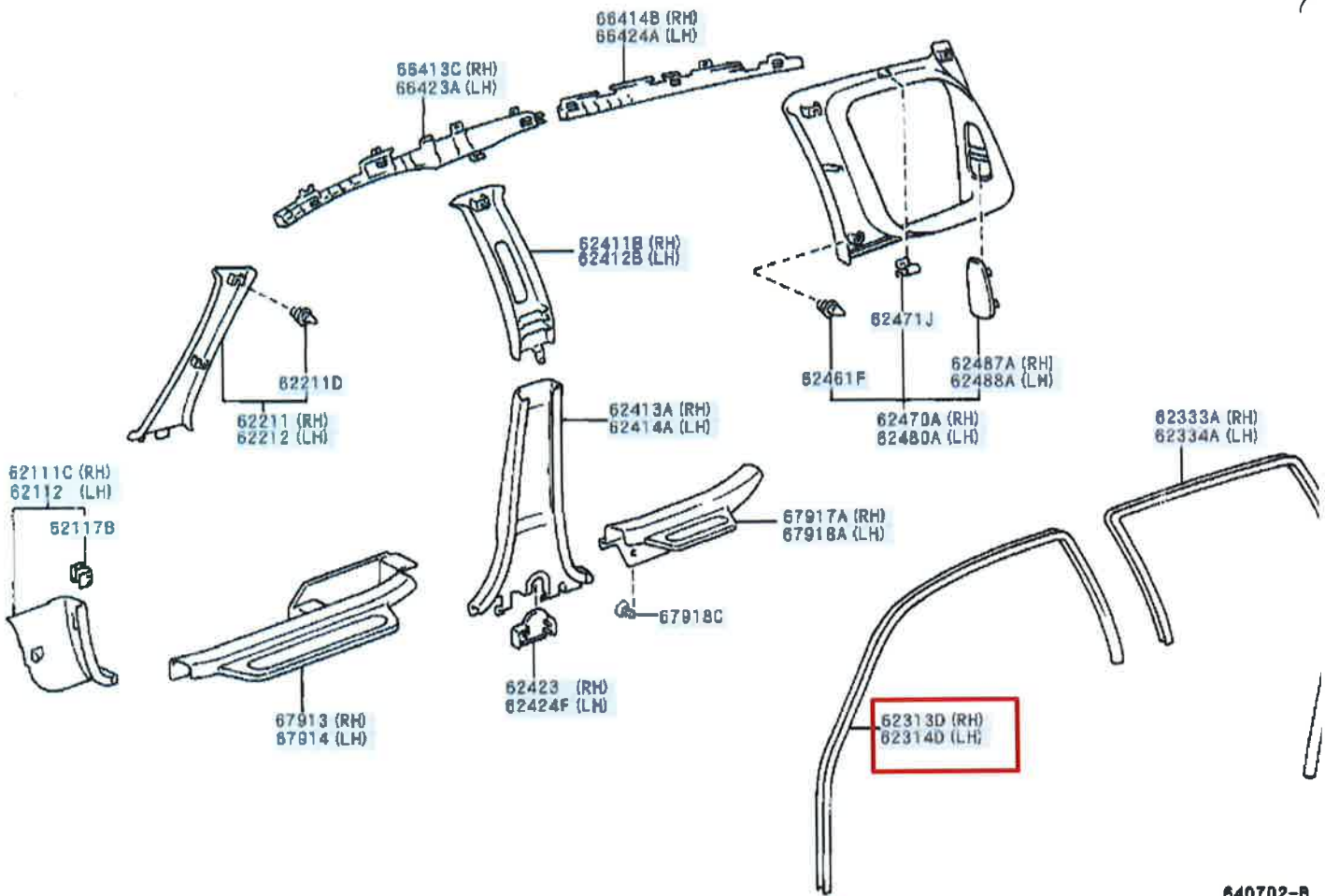
89070



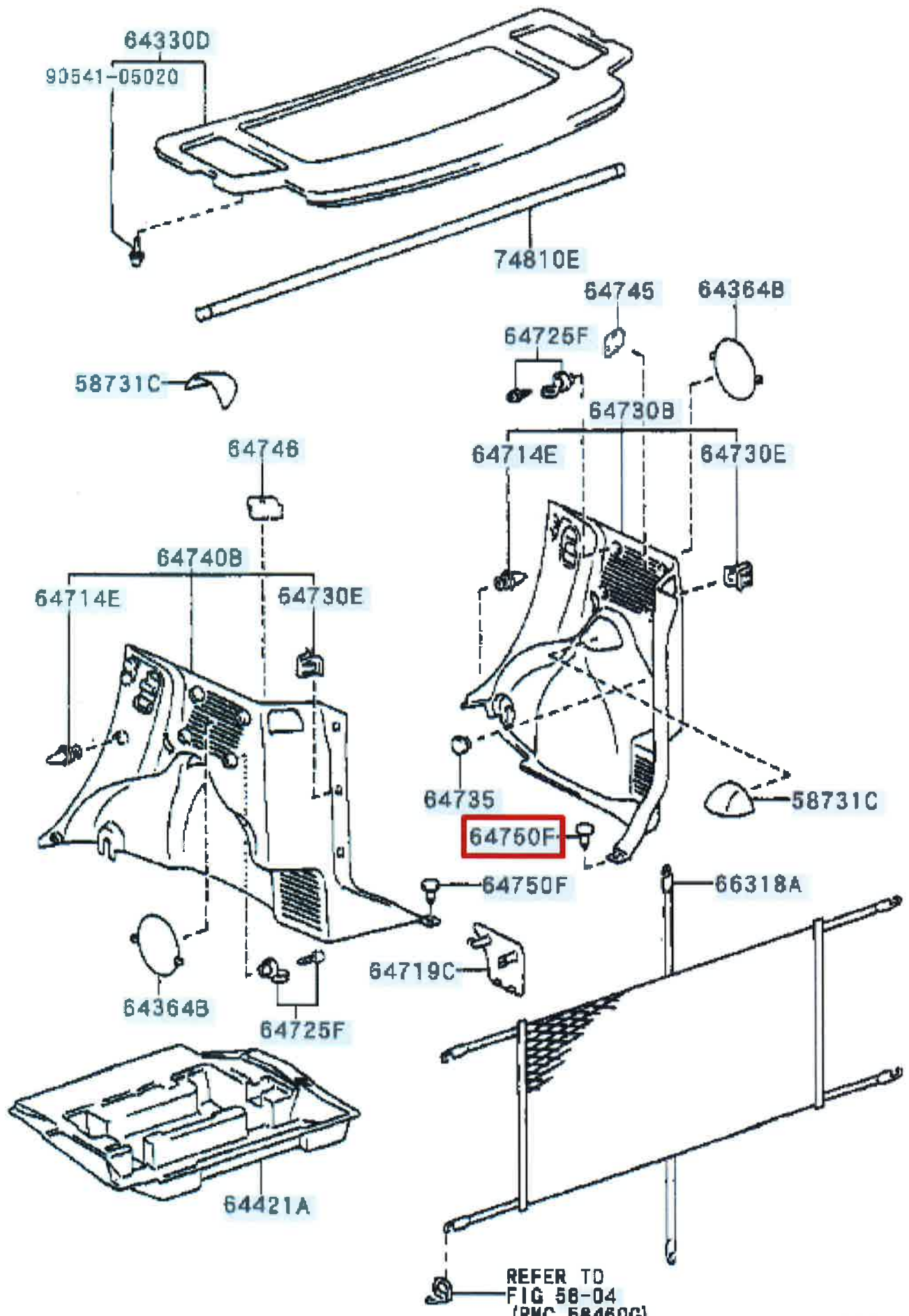
硬化型シリコン

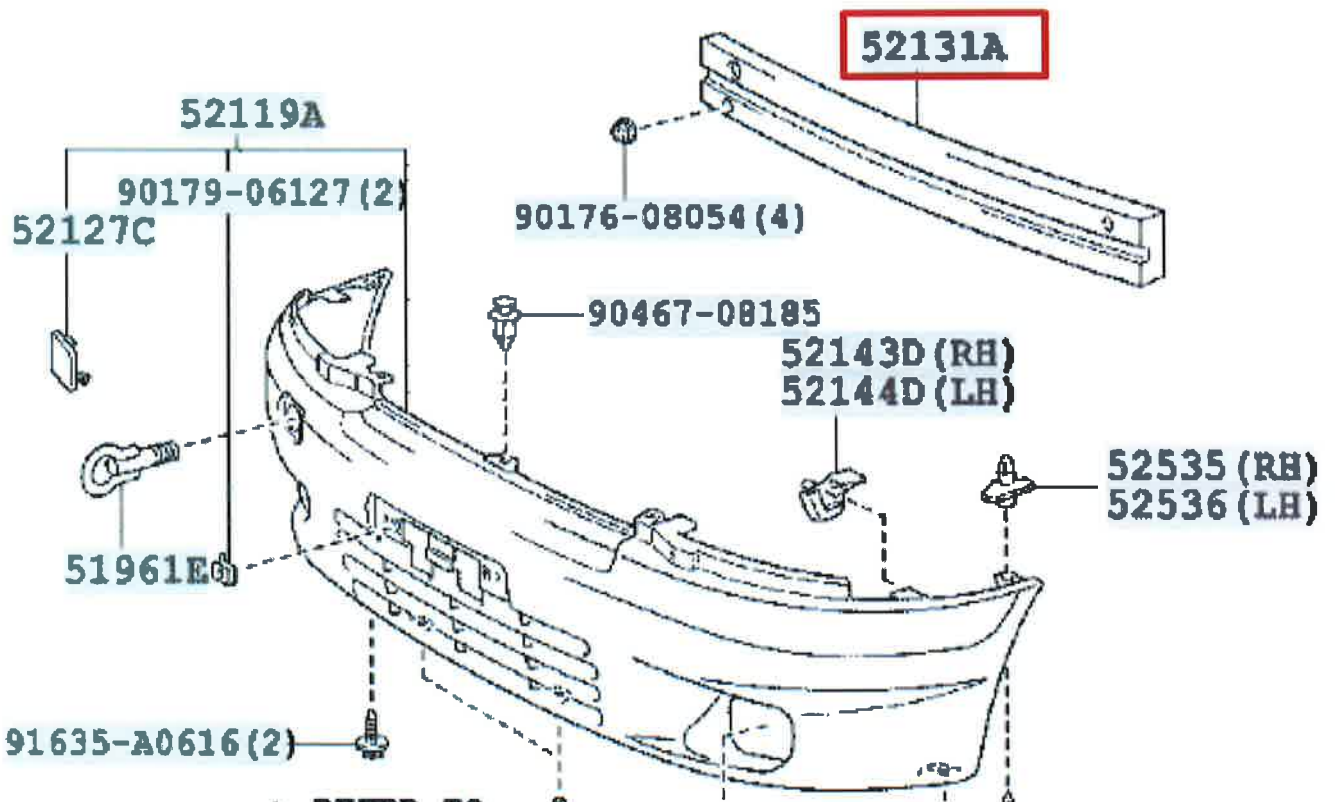


4/7



640702-B





1 REFER TO FIG 51-02

2 REFER TO FIG 51-02

5 REFER TO FIG 53-02

6 REFER TO FIG 53-02

アリ(フォグランプ)

