



Sales Dept. Ph: 075-622-5091  
Fax: 075-622-2400  
Main Office Ph: 075-622-5090  
Fax: 075-622-5098

EXPORTERS OF QUALITY NEW & USED VEHICLES  
IBC JAPAN LTD 64 MIYANOMAE-CHO NAKAJIMA FUSHIMI-KU KYOTO 612-8457 JAPAN  
INTERNET ADDRESS: <http://www.ibc-japan.co.jp>

### INVOICE

MESSRS RENO DION FORBES  
151 OAKRIDGE RD. NASSAU, CB11709  
COUNTRY BAHAMAS

DATE: 5/17/2019  
INVOICE NO. 86518542689

SHIPPED PER: Atlas Leader - KB SAILING ON OR ABOUT: 5/17/2019  
FROM: Kobe TO: Nassau, Bahamas TERMS: T/T

<u>DESCRIPTION &amp; QUANTITY</u>		<u>AMOUNT</u>
USED MOTOR CARS		CIF Nassau in US Dollar
1	HONDA VEZEL HYBRID 2016 RU3-1121048	FOB \$ 17,741
		FREIGHT \$ 1,458
		INSURANCE \$ 100

ONE UNIT(S) TOTAL TOTAL: \$ 19,299

MARK & NO.

R.D  
NASSAU

IBC Japan Ltd.

FIRST ORIGINAL

(Forwarding Agents)

YCS KOKUSAI EXPRESS

Shipper  
IBC JAPAN LTD  
64 MIYANOMAE-CHO NAKAJIMA  
FUSHIMI-KU KYOTO 612-8457 JAPAN  
TEL:075-622-5090 FAX:075-622-5098

S/O No.  
73-002

B/L No.  
NYKS181851906

印紙税申告納  
付につき廻町  
税務署承認済



**NYK LINE**  
NIPPON YUSEN KAISHA

Consignee

RENO DION FORBES  
151 OAKRIDGE RD. NASSAU, CB11709  
BAHAMAS  
(242) 376-0116 OR (242) 424-1626

**BILL OF LADING**

**(NON NEGOTIABLE UNLESS CONSIGNED TO ORDER)**

Shipped on board the Vessel, the Goods, or packages said to contain the cargo described below, in apparent good order and condition unless otherwise indicated herein, to be carried to the port of discharge or such port or place as selected by the Carrier under the terms and conditions of this Bill, with or without transshipment, as the Vessel and/or other connecting conveyances may safely get, and to be delivered there in like order and condition unto order or assigns, subject to the terms, conditions and exceptions on the face and back hereof.

This Bill (duly endorsed if it is negotiable) must be surrendered in exchange for the Goods or delivery order except where this Bill issued as a Sea Waybill. Where issued as a Sea Waybill, this Bill is not negotiable or a document of title and delivery shall be made to the named consignee on production of such reasonable proof of identity as may be required by the Carrier.

In accepting this Bill, the Merchant agrees to be bound by all the stipulations, exceptions, terms and conditions on the face and back hereof, whether written, typed, stamped or printed, as fully as if signed by the Merchant, any local custom or privilege to the contrary notwithstanding and agrees that all agreements or freight engagements for and in connection with the carriage of the Goods are superseded by this Bill.

In witness whereof, the undersigned, on behalf of Nippon Yusen Kaisha, the Master and the owner of the Vessel, has signed the number of Bill(s) stated below, all of this tenor and date, one of which being accomplished, the others to stand void.

Notify Party

RENO DION FORBES  
151 OAKRIDGE RD. NASSAU, CB11709  
BAHAMAS  
(242) 376-0116 OR (242) 424-1626

(Local Vessel)

(From)

KOBE

Ocean Vessel

069

Voy. No.

Port of Loading

ATLAS LEADER

KOBE, JAPAN

Port of Discharge

NASSAU, BAHAMAS

※ For Transshipment to (if on-carriage)

※ Final Destination (for the Merchant's reference only)

Marks & Numbers	No. of P' kgs. or Units	Kind of packages or Units:	Description of Goods	Gross Weight (KGS)	Measurement (M3)
R. D NASSAU	1	UNIT	USED MOTOR CARS HONDA VEZEL HYBRID 2016 RU3-1121048 429X177X160 HS CODE: 8703.40	1,300	12.149
"FREIGHT PREPAID"					
"IT IS HERE WITH EXPRESSLY AGREED AND ACCEPTED BY SHIPPERS/RECEIVERS THAT VESSEL/OWNERS/CARRIERS ARE NOT RESPONSIBLE FOR ANY ITEMS, WHICH MIGHT HAVE BEEN LOADED INTO THE BOOT AND/OR ANY OTHER COMPARTMENT OF THE VEHICLE(S),"					
TOTAL NUMBER OF PACKAGES OR UNITS (IN WORDS) SAY: ONE (1) UNIT ONLY.-					

Freight & Charges	Revenue Tons	Rate	Per	Prepaid	Collect
"FREIGHT PREPAID AS ARRANGED"					

ICS B/L	Ex. Rate	Prepaid at	Payable at	Place of B(s)/L Issue	Dated
		KOBE, JAPAN		KOBE, JAPAN	17 MAY 2019
	Total Prepaid in Local Currency	Number of Original B(s)/L		NIPPON YUSEN KAISHA	
		THREE (3)			

(JSA STANDARD FORM B)

※See-Article 17

(TERMS OF BILL OF LADING CONTINUED ON BACK HEREOF)

AS CARRIER  
YCS CO., LTD.  
AS AGENT FOR CARRIER



Declared Value

If shipper enters a value, carrier's limitation of liability shall not apply and the ad valorem rate will be charged. (See Article 13 & 22)

THIRD ORIGINAL

(Forwarding Agents)

YCS KOKUSAI EXPRESS

Shipper  
IBC JAPAN LTD  
64 MIYANOMAE-CHO NAKAJIMA  
FUSHIMI-KU KYOTO 612-8457 JAPAN  
TEL:075-622-5090 FAX:075-622-5098

S/O No.  
73-002

B/L No.  
NYKS181851906



Consignee

RENO DION FORBES  
151 OAKRIDGE RD. NASSAU, CB11709  
BAHAMAS  
(242) 376-0116 OR (242) 424-1626

**BILL OF LADING**  
**(NON NEGOTIABLE UNLESS CONSIGNED TO ORDER)**

Shipped on board the Vessel, the Goods, or packages said to contain the cargo described below, in apparent good order and condition unless otherwise indicated herein, to be carried to the port of discharge or such port or place as selected by the Carrier under the terms and conditions of this Bill, with or without transshipment, as the Vessel and/or other connecting conveyances may safely get, and to be delivered there in like order and condition unto order or assigns, subject to the terms, conditions and exceptions on the face and back hereof.

This Bill (duly endorsed if it is negotiable) must be surrendered in exchange for the Goods or delivery order except where this Bill issued as a Sea Waybill. Where issued as a Sea Waybill, this Bill is not negotiable or a document of title and delivery shall be made to the named consignee on production of such reasonable proof of identity as may be required by the Carrier.

In accepting this Bill, the Merchant agrees to be bound by all the stipulations, exceptions, terms and conditions on the face and back hereof, whether written, typed, stamped or printed, as fully as if signed by the Merchant, any local custom or privilege to the contrary notwithstanding and agrees that all agreements or freight engagements for and in connection with the carriage of the Goods are superseded by this Bill. In witness whereof, the undersigned, on behalf of Nippon Yusen Kaisha, the Master and the owner of the Vessel, has signed the number of Bill(s) stated below, all of this tenor and date, one of which being accomplished, the others to stand void.

Notify Party

RENO DION FORBES  
151 OAKRIDGE RD. NASSAU, CB11709  
BAHAMAS  
(242) 376-0116 OR (242) 424-1626

(Local Vessel)

(From)

KOBE

Ocean Vessel

069

Voy.No.

Port of Loading

ATLAS LEADER

KOBE, JAPAN

Port of Discharge

NASSAU, BAHAMAS

※For Transshipment to (if on-carriage)

※Final Destination (for the Merchant's reference only)

Marks & Numbers	No. of P' kgs. or Units	Kind of packages or Units	Description of Goods	Gross Weight (KGS)	Measurement (M3)
R.D NASSAU	1		USED MOTOR CARS HONDA VEZEL HYBRID 2016 RU3-1121048 429X177X160 HS CODE: 8703.40 UNIT "FREIGHT PREPAID"	1,300	12.149
"IT IS HERE WITH EXPRESSLY AGREED AND ACCEPTED BY SHIPPERS/RECEIVERS THAT VESSEL/OWNERS/CARRIERS ARE NOT RESPONSIBLE FOR ANY ITEMS, WHICH MIGHT HAVE BEEN LOADED INTO THE BOOT AND/OR ANY OTHER COMPARTMENT OF THE VEHICLE(S),"					
TOTAL NUMBER OF PACKAGES OR UNITS (IN WORDS) SAY: ONE (1) UNIT ONLY.-					

Particulars furnished by the Merchant

FREIGHT & CHARGES		Revenue Tons	Rate	Per	Prepaid	Collect
"FREIGHT PREPAID AS		ARRANGED"				

ICS B/L	Ex. Rate	Prepaid at	Payable at	Place of B(s)/L Issue	Dated
	0	KOBE, JAPAN	THREE (3)	KOBE, JAPAN	17 MAY 2019
		Total Prepaid in Local Currency	Number of Original B(s)/L	NIPPON YUSEN KAISHA	

(JSA STANDARD FORM B)

※See-Article 17

(TERMS OF BILL OF LADING CONTINUED ON BACK HEREOF)

AS CARRIER  
YCS CO., LTD.  
AS AGENT FOR CARRIER



Declared Value \_\_\_\_\_

If shipper enters a value, carrier's limitation of liability shall not apply and the ad valorem rate will be charged. (See Article 13 & 22)

# EAA

## Certificate of export inspection

### EAA Company Limited



No.: BH-1904-087-001  
Date of Issue: 2019/04/18  
Date of Appraisal: 2019/04/17

We hereby certify that the vehicle, for which details are given below,  
has the following value at the time of appraisal in Japan.

### BAHAMAS NATIONAL STANDARDS(BNS)2019

Make	<u>HONDA</u>	Model	<u>DAA-RU3</u>
Type of Vehicle	<u></u>		<u>Station Wagon</u>
Engine Capacity(c.c.rating)	<u></u>		<u>1,490</u> CC
Year of First Registration	<u></u>		<u>2016/07</u>
Chassis Number	<u></u>		<u>RU3-1121048</u>
Engine Number or Model	<u></u>	<u>LEB-H1</u>	<u>5071066</u>
Inspected Mileage(Odometer Reading)	<u></u>		<u>15,350</u> km
Inspected Date	<u></u>		<u>2019/04/17</u>

Remarks: We hereby certify that this motor vehicle does not exceed the radiation threshold level.

Note 1: No responsibility can be taken for alteration made to vehicle after this inspection.

Note 2: No responsibility can be assumed by this institute for any disputes, reparations, etc. caused by transaction involving the certified used motor vehicle as abovementioned.

EAA Company Limited



EAA West



Director of  
Inspection Dept



Inspection fee US\$150,00

NO BH-1904-087-001

This certificate is issued on the understanding that it does not relieve the seller from this contractual obligation.

**THIS CERTIFICATE IS VALID FOR A PERIOD OF THREE(3) MONTHS FROM THE DATE OF ISSUE**



S/No. BH-1904-087-001

[Vehicle Details]

Chassis No: RU3-1121048 Model: DAA-RU3 Engine Model: LEB-H1
Maker: HONDA 1st Registration Year: 2016/07 Engine No: 5071066
Model Name: Manufacture Year: Weight: 1300 Kg
Engine Capacity: 1490 cc Type of Vehicle: Station Wagon FF Axis Weight: 790 Kg
Body Color: White Mileage(Paper): 0 Km FR Axis Weight: Kg
Fuel Type: GASOLINE Odometer: 15,350 km RF Axis Weight: Kg
RR Axis Weight: 510 Kg

[Inspection Details]

Location: Kobe Inspector: Kazuya Kawashima

[Test Drive]

Table with 4 columns: Test Item, Pass/Fail, Value, Pass/Fail. Items include Abnormal at Acceleration, Abnormal at Brake Test, Exhaust (CO, HC, DS), and Headlights (Luminance R/L, Attachment R/L, Optical Axis R/L).

[Side Slip]

Table with 4 columns: Test Item, Pass/Fail, Value, Pass/Fail. Item: IN / OUT 0.4 mm.

[Speedometer]

Table with 4 columns: Test Item, Pass/Fail, Value, Pass/Fail. Items: Difference 0.1 km/h, Run-out 0 km/h.

[Brake System]

Table with 6 columns: FL, ML, RL, PL, FR, MR, RR, PR, Sum, Calculation, Comparison, Sum, Pass/Fail. Items include main brake, parking brake, and R wheel brake.

[Engine]

Table with 2 columns: Item, Result. Items include Engine, Fan belt, Battery, Master Cylinder, Caburetor, Fuel Pipes, Injection Pump, Wiring Haeness, Generator, Cooling System, Manifolds, Lubrication System (R-134a), CFC.

[Equipment]

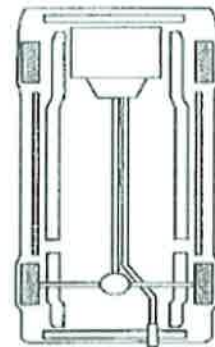
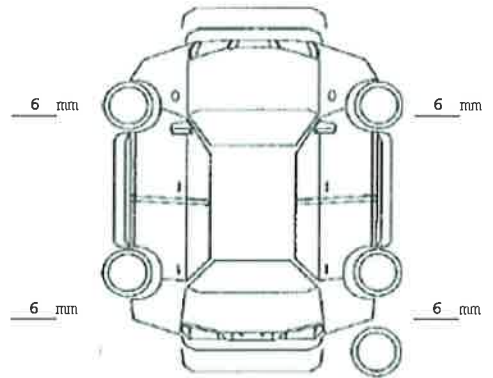
Table with 2 columns: Item, Result. Items: Tool, Jack.

[Underbody]

Table with 2 columns: Item, Result. Items include Wheel Bearing, Springs, Shock Absorbers, Suspension Fixing, Torque Rod, Gear Box, Steering Rod/Arm, Wheel Cylinder, Brake Rod/Cable, Breake Hose/Pipe, Front axle, Drive Shaft, Propeller Shaft, Axle Housing, Differential, Tyre Size, Tyre Condition, Tyre ETC.

[Accessory]

Table with 2 columns: Item, Result. Items: A/C, Audio, Navigation, Alloy Wheel. AT/MT: AT



[Interior]

Table with 2 columns: Item, Result. Items include Steering Wheel, Power Steering, Horn, Gauges, Climate Control, Door, Windows, Wipers, Mirrors(Back & Sides), Shift Lever, Safety Belts, Brake Pedal, Brake Booster, Clutch Pedal, Clutch Function.

[Lights]

Table with 2 columns: Item, Result. Items: Head lamp, Indicator, Rear, Brake, ETC.

[ETC]

Table with 2 columns: Item, Result. Items: Exhaust System, Air Suspension, Air Brake, Fuel Tank.

[Damage]

Table with 2 columns: Item, Result. Items: Exterior, Interior, Underbody.

F=Repair A=Scratch U=Dent R=Rust CR=Crack D=Damage

[Result]

Pass/Fail checkboxes with a checkmark in the Pass box.

Inspector Signature: Kazuya Kawashima
Inspection Date: 2019-04-17

[Reinspection]

Pass/Fail checkboxes.

Inspector Signature:
Inspection Date2:

[Fail Parts]

Empty box for listing fail parts.

番号 00975  
整理番号 3621023993222974

# 輸出抹消仮登録証明書 / Export Certificate

自動車登録番号 / Registration No.

登録年月日 / Registration Date

初度登録年月 / First Reg. Date

車台番号 / Maker's serial number

京都 399 め 2297 車名 / Trademark of the maker of the vehicle

平成 31 年 4 月 12 日  
平成 28 年 7 月 12 日  
R U 3 - 1 1 2 1 0 4 8 型

原動機の型式 / Engine Model

ホンダ I B C J a p a n 株式会社 [296] D A A - R U 3

LEB-H1

所有者の氏名又は名称  
Name of Owner

所有者の住所  
Address of Owner

使用者の氏名又は名称  
Name of User

使用者の住所  
Address of User

使用の本拠の位置  
Locality of principal abode of use

自動車の種別  
Classification of Vehicle

燃料の種別  
Classification of Fuel

車体の形状  
Type of Body

乗車定員  
Fixed Number

最大積載量  
Maxim. Carry

車前重量  
FF Weight

車後重量  
RR Weight

車前軸重  
FF Weight

車後軸重  
RR Weight

輸出予定日 (証明書有効期間満了日)  
Export scheduled day

平成 31 年 10 月 11 日

1.49 ガソリン 17667 0005 429 177 160 790 1300 1575

備考 [京都]、輸出抹消仮登録  
輸出抹消仮登録申請をした所有者は、輸出抹消仮登録証明書に係る自  
動車が輸出されることなく、当該輸出抹消仮登録証明書の有効期間が  
満了したときは、当該有効期間が満了した日から15日以内に、最寄  
りの運輸支局等に当該輸出抹消仮登録証明書を返納しなければなり  
ません。  
[旧自動車登録番号] 倉敷 3 0 0 7 5 6 9 5  
以下余白



平成 31 年 4 月 12 日

Director-General of the District Transport Bureau or  
Director-General of the District Transport Branch of the District Transport Bureau.

京都運輸支局長

京都運輸支局長



裏面もご覧下さい。

No. 00975

## EXPORT CERTIFICATE

License number	Last reg. Date	First reg. Month	Frame number
KYOTO 399 ME 2297	April, 12, 2019	July, 2016	RU3-1121048
Name		Model	
HONDA		LEB-H1	
Last owner's name IBC JAPAN KABUSHIKIGAISHA			
Above address KYOTO-FU KYOTO-SHI FUSHIMI-KU NAKAJIMA MIYANOMAE-CHO 64			
Last user's name *****			
Above address *****			
Above location *****			
Category	Purpose of use	Private or commercial	Style of Vehicle
MEDIUM	Passenger	PRIVATE	STATION WAGON
Displacement or outputpower	Fuel	Type No.	Code no.
1.49 L <sup>kw</sup>	PETROL	17667	0005
EXPIRY DATE	October, 11, 2019		
REMARK: [ KYOTO ] CANCELLATION,			

April, 12, 2019

KYOTO UNYU SHIKYOKU-CHO

We IBC JAPAN LTD. verify that this English translation of  
Certificate Registration is exactly the same with the original Japanese edition